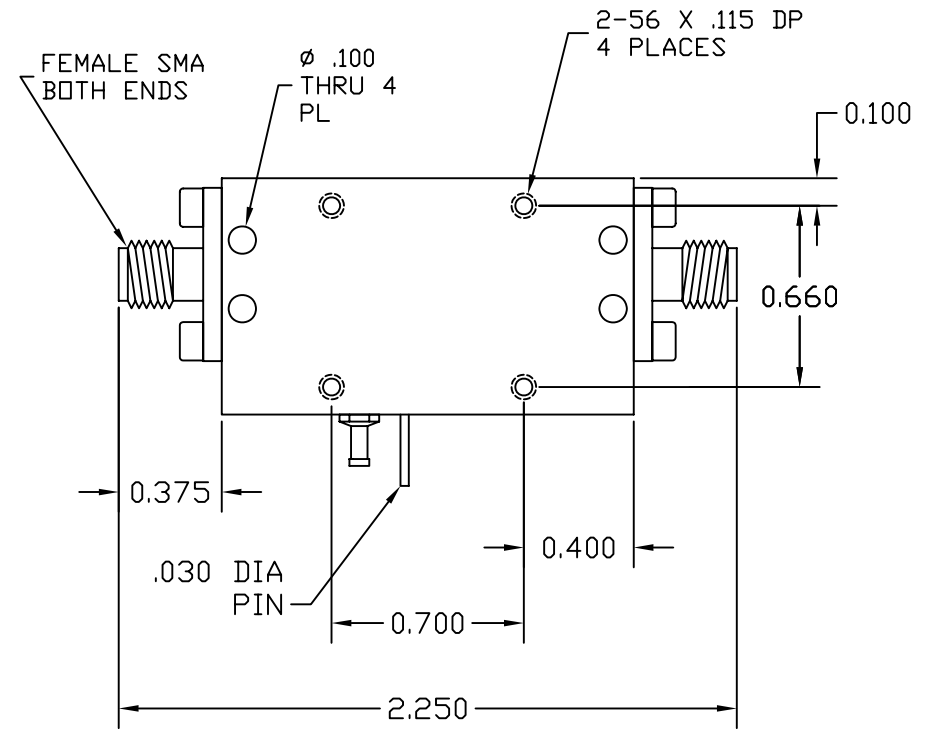
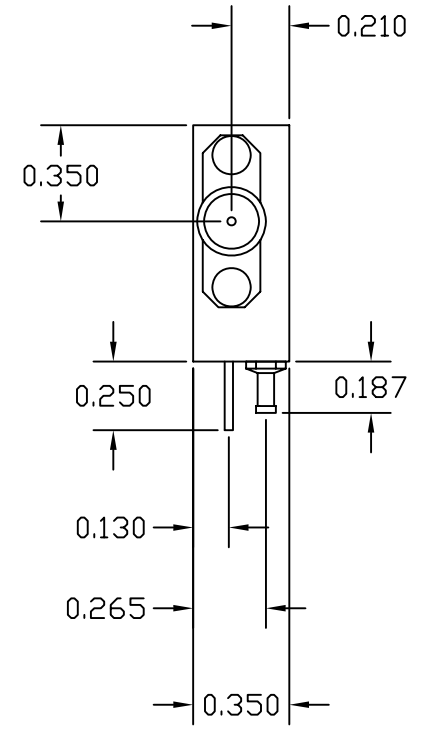
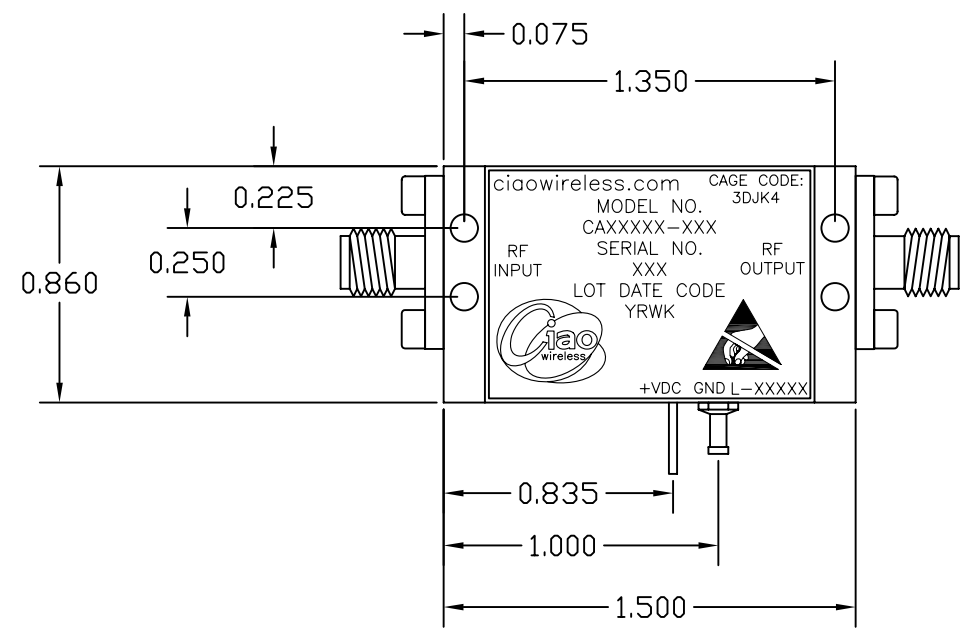


REVISIONS					
ZONE	REV	DESCRIPTION	ECO#	DATE	APPROVED
	A	RELEASED		4/6/04	J.H
	B	ECO #1197		4/21/04	J.H
	C	ECO #1699		1/10/08	M. C.



ITEM NO.	QTY REQD	PART OR IDENTIFYING NO.	NOMENCLATURE OR DESCRIPTION	MATERIAL SPECIFICATION
PARTS LIST				
UNLESS OTHERWISE SPECIFIED: DIMENSIONS ARE IN INCHES. TOLERANCES ARE: FRACTIONS DECIMALS HOLES ANGLES ± 1/64 .XX ±.03 .XX ±.03 ± 0°30'			CONTRACT NO.	
MACHINED FINISH: 32 RMS REMOVE BURRS .005 MAX			APPROVALS DATE	
MATERIAL ALUMINUM 6061-T6			DRAWN J. LACBAIN 3/15/04	
FINISH ELECTROLESS NICKEL PER MIL-C-26074 CLASS 4 GRADE B .0005 ± .0001 MAX			CHECKED W. QUINONES 4/5/04 MECHANICAL ENGR	
NEXT ASSY			ELECTRICAL ENGR	
USED ON			PRODUCT ASSURANCE G. TUFTS 4/6/04	
APPLICATION DO NOT SCALE DRAWING			PLANNING J. HARRISON 4/6/04	
			MANUFACTURING G. WASYLEWSKI 4/6/04	
			SIZE B	CAGE CODE 3DJK4
			DWG. NO. 30012	
			SCALE 1/1	REV. C
			SHEET 1 OF 1	



CIAO WIRELESS
4000 VIA PESCADOR
CAMARILLO CA, 93012

XK2 ICD AMPLIFIER

DWG NO. 30012 REV A