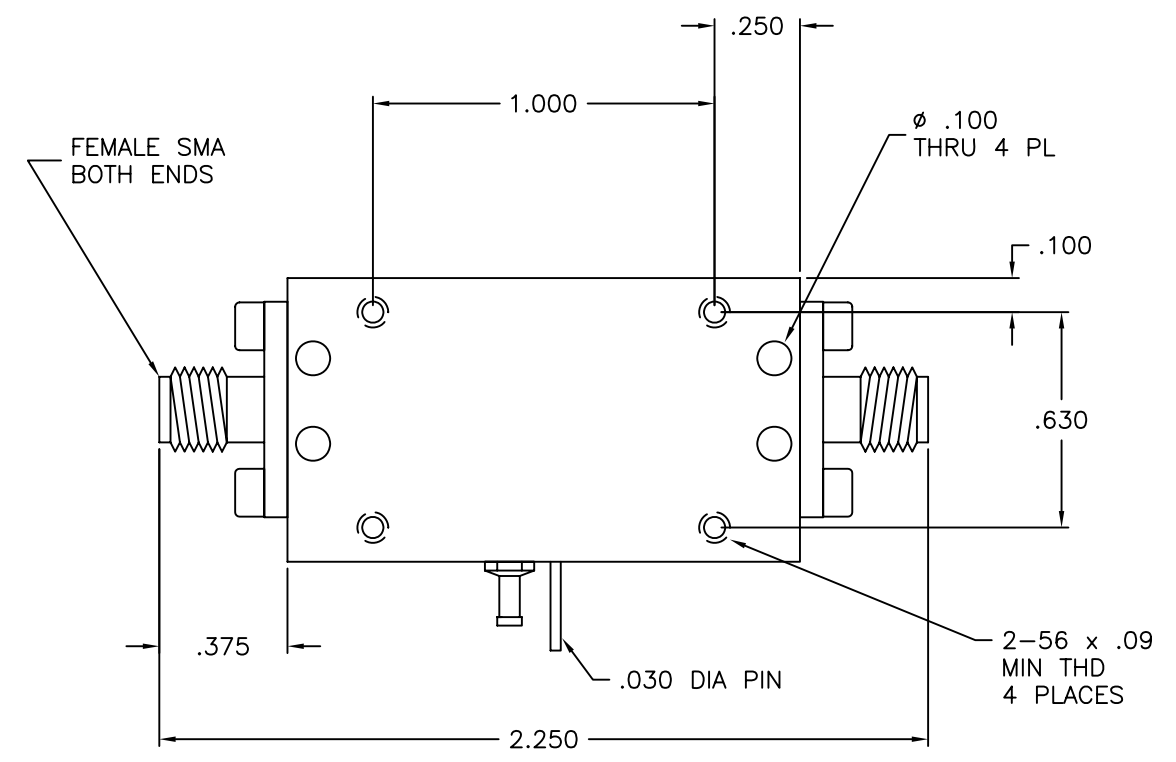
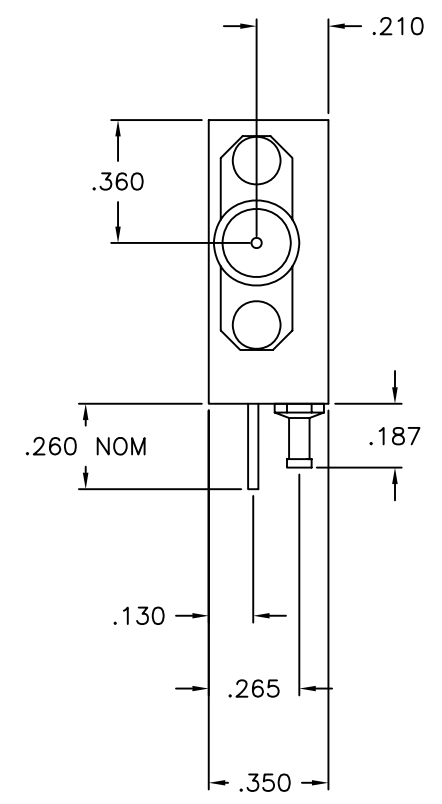
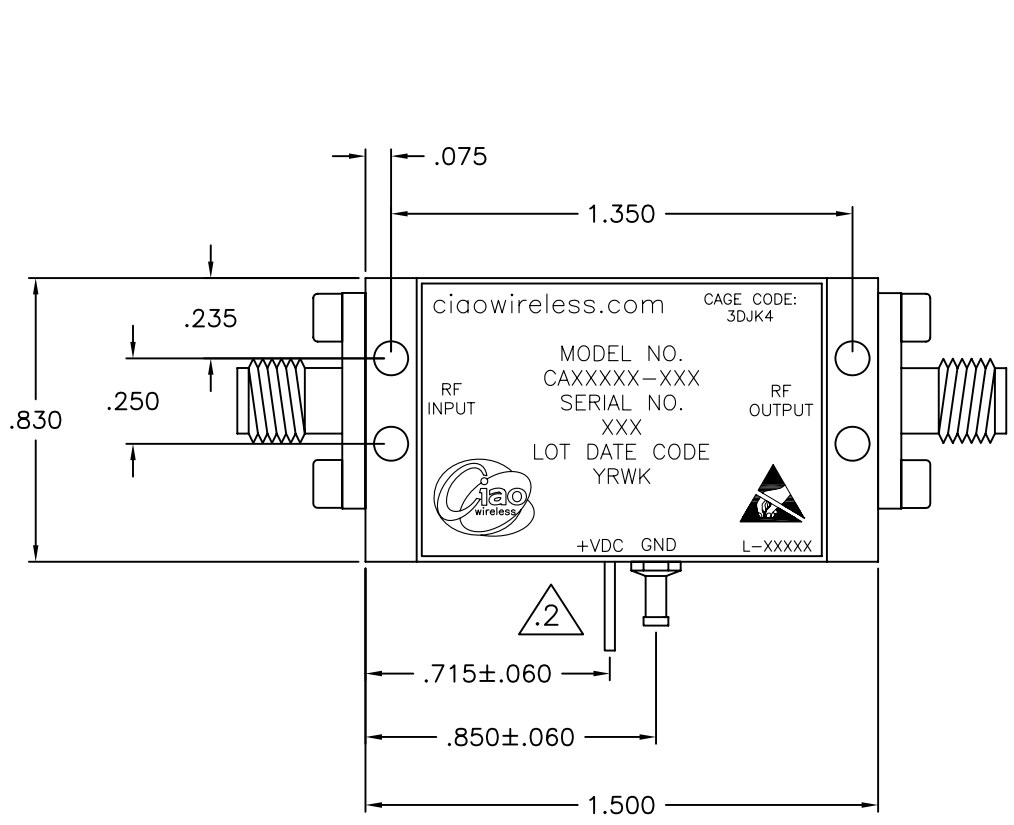


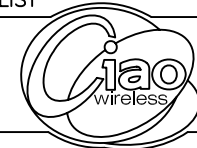
REVISIONS					
ZONE	REV	DESCRIPTION	ECO#	DATE	APPROVED
	A	RELEASED		4/7/04	J.H
	B	ADDED NOTES PER PIN LOCATIONS	3264	6/29/12	J.H



NOTES:

1. OUTLINE IS AVAILABLE IN "STEP", "IGES", OR "DWG" FORMATS UPON REQUEST.
2. GROUND AND VDC PINS ARE LOCATED APPROXIMATELY WHERE SHOWN AND ARE SUBJECT TO CHANGE WITHOUT NOTICE DUE TO PRODUCT ENHANCEMENT. WHEREVER POSSIBLE CIAO WILL PROVIDE NOTICE OF CHANGES TO CUSTOMER

ITEM NO.	QTY REQD	PART OR IDENTIFYING NO.	NOMENCLATURE OR DESCRIPTION	MATERIAL SPECIFICATION
PARTS LIST				
UNLESS OTHERWISE SPECIFIED: DIMENSIONS ARE IN INCHES. TOLERANCES ARE: FRACTIONS DECIMALS HOLES ANGLES ± 1/64 .XX ±.03 .XX ±.03 ± 0°30'			CONTRACT NO.	
MACHINED FINISH: 32 RMS REMOVE BURRS .005 MAX			APPROVALS DATE	
MATERIAL			DRAWN S. BROWN 4/7/04	
FINISH ELECTROLESS NICKEL PER MIL-C-26074 CLASS 4 GRADE B .0005 ± .0001 MAX			CHECKED W. QUINONES 4/7/04 MECHANICAL ENGR	
NEXT ASSY			ELECTRICAL ENGR	
USED ON			PRODUCT ASSURANCE G. TUFT 4/7/04	
APPLICATION			PLANNING J. HARRISON 4/7/04	
DO NOT SCALE DRAWING			MANUFACTURING G. WASYLEWWSI 4/7/04	
			SIZE B	CAGE CODE 3DJK4
			DWG. NO. 30042	
			REV. B	
			SCALE 1/1	SHEET 1 OF 1



CIAO WIRELESS
4000 VIA PESCADOR
CAMARILLO CA, 93012

Q4 ICD AMPLIFIER

30042

DWG NO. 30042 REV. A, 7/07