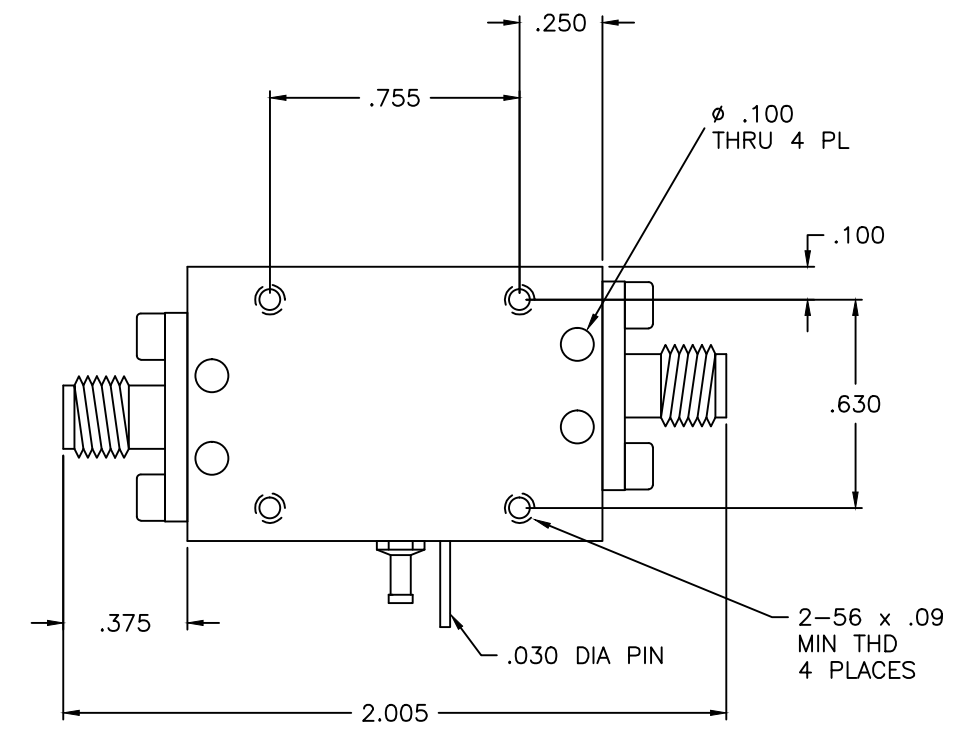
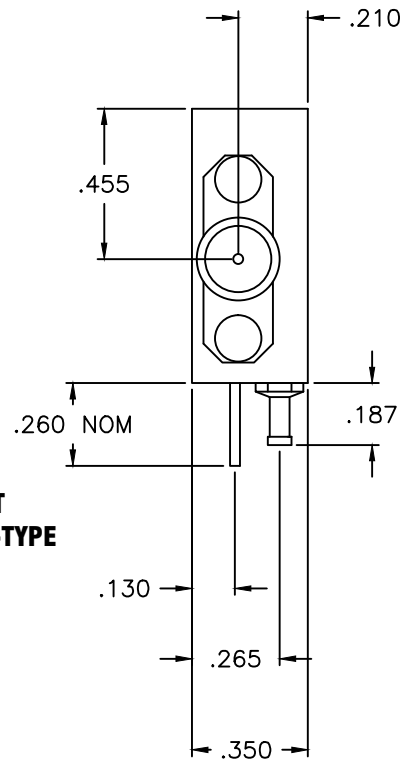
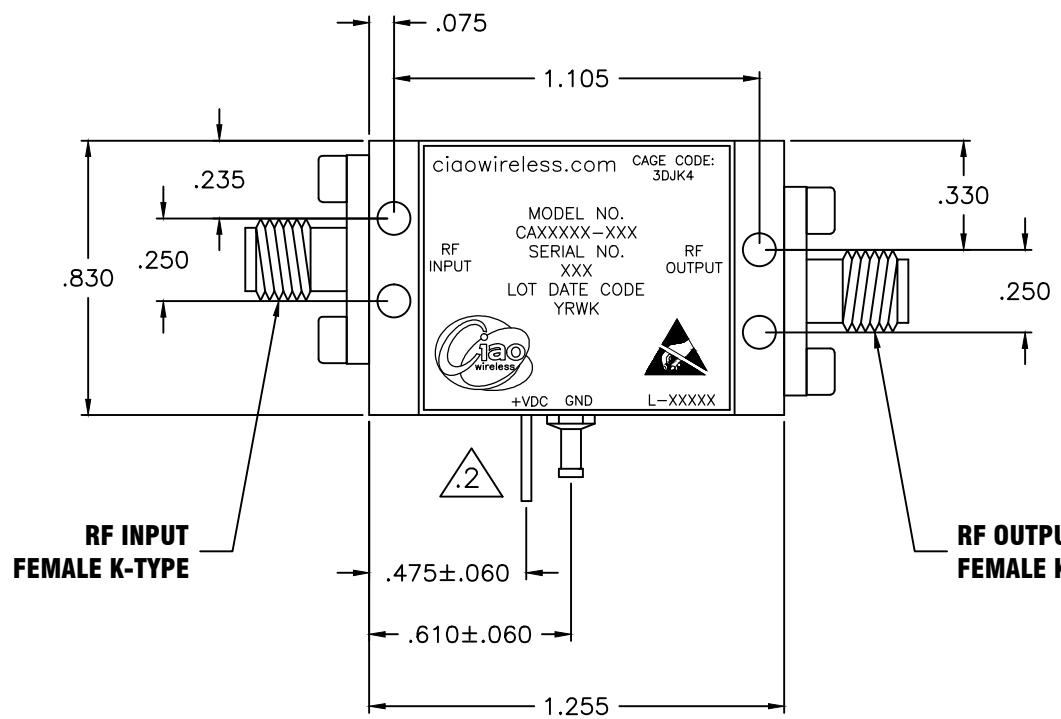
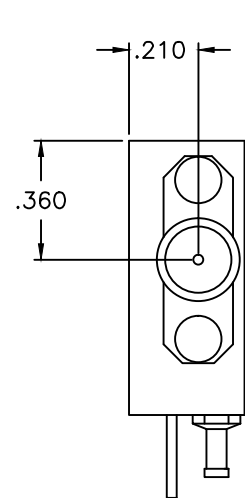
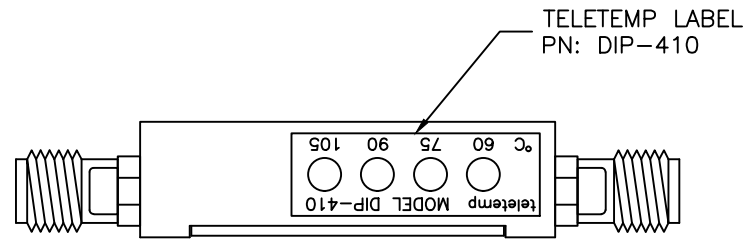


REVISIONS					
ZONE	REV	DESCRIPTION	ECO#	DATE	APPROVED
	A	RELEASED			



- NOTES:**
1. OUTLINE IS AVAILABLE IN "STEP", "IGES", OR "DWG" FORMATS UPON REQUEST.
 2. GROUND AND VDC PINS ARE LOCATED APPROXIMATELY WHERE SHOWN AND ARE SUBJECT TO CHANGE WITHOUT NOTICE DUE TO PRODUCT ENHANCEMENT. WHEREVER POSSIBLE CIAO WILL PROVIDE NOTICE OF CHANGES TO CUSTOMER

ITEM NO.	QTY REQD	PART OR IDENTIFYING NO.	NOMENCLATURE OR DESCRIPTION	MATERIAL SPECIFICATION
PARTS LIST				

NEXT ASSY	USED ON
APPLICATION	

UNLESS OTHERWISE SPECIFIED: DIMENSIONS ARE IN INCHES. TOLERANCES ARE: FRACTIONS DECIMALS HOLES ANGLES ± 1/64 .XX ±.03 .XX ±.03 ± 0°30'		CONTRACT NO.
MACHINED FINISH: 32 RMS REMOVE BURRS .005 MAX		APPROVALS DATE
MATERIAL ALUMINUM 6061-T6		DRAWN S. BROWN 7/7/09
FINISH ELECTROLESS NICKEL PER MIL-C-26074 CLASS 4 GRADE B .0005 ± .0001 MAX		CHECKED
DO NOT SCALE DRAWING		MECHANICAL ENGR
		ELECTRICAL ENGR
		PRODUCT ASSURANCE
		PLANNING
		MANUFACTURING

CIAO WIRELESS
4000 VIA PESCADOR
CAMARILLO CA, 93012

Q3-K ICD AMPLIFIER

SIZE B	CAGE CODE 3DJK4	DWG. NO. 30041-K	REV. A
SCALE 1/1		SHEET 1 OF 1	

30041-K REV A