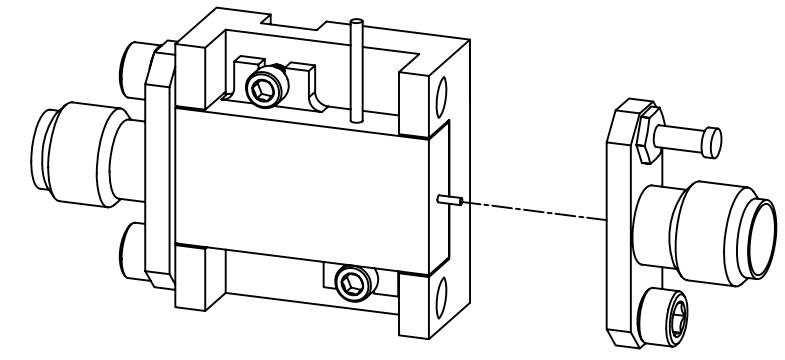
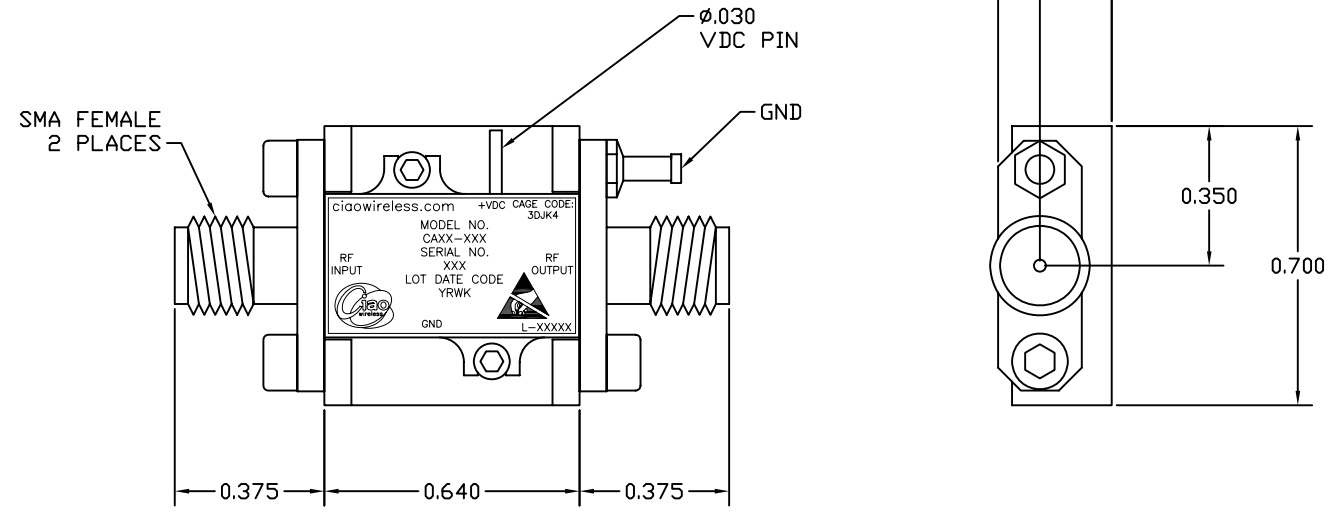


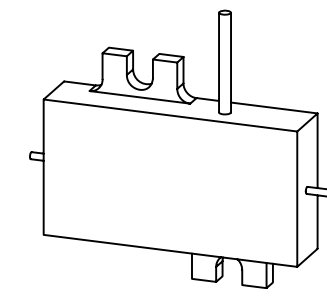
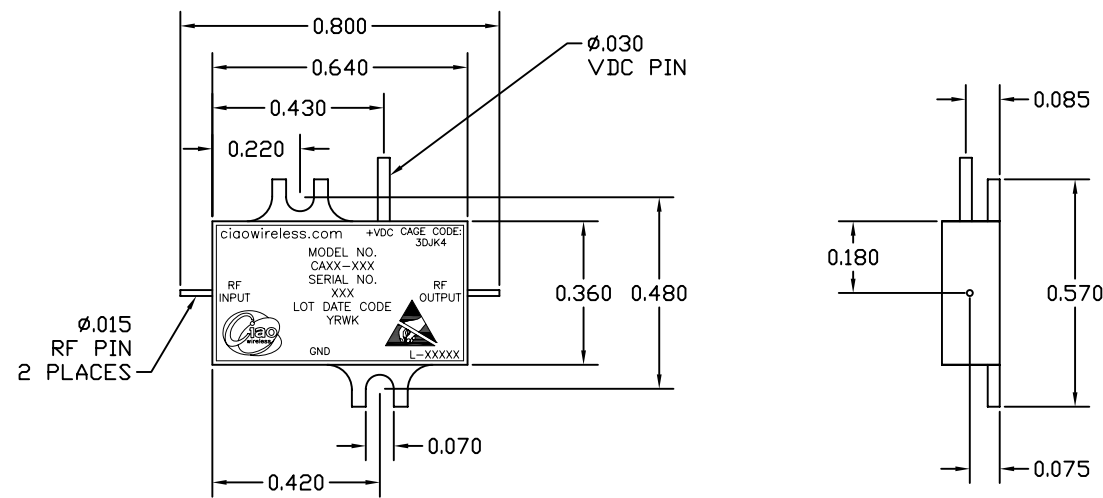
**** PROPRIETARY DATA ****
 THIS DOCUMENT CONTAINS DATA WHICH IS PROPRIETARY OR CONFIDENTIAL TO CIAO WIRELESS. THIS DOCUMENT AND THE DATA CONTAINED HEREIN SHALL NOT BE USED, DUPLICATED, OR ALTERED WITHOUT THE EXPRESSED WRITTEN CONSENT OF CIAO WIRELESS. ALL RIGHTS ARE RESERVED.

REVISIONS					
ZONE	REV	DESCRIPTION	ECO#	DATE	APPROVED
	A	RELEASED			
	B	REVISED AMPLIFIER NAME AND NOTES	4159		


MFB1-C



MFB1



- NOTES:**
- MFB1-C PACKAGE INCLUDES FIELD REMOVABLE CONNECTORIZED FIXTURE.
 - MFB1 PACKAGE INCLUDES THE DROP-IN FLAT PACK AMPLIFIER UNIT ONLY.
 - CUSTOMER TO SPECIFY WHICH CONFIGURATION IS DESIRED.
 - CIAO TO SPECIFY WHEN QUOTING.
 - OUTLINE IS AVAILABLE IN "STEP", "IGES", OR "DWG" FORMATS UPON REQUEST.
 - STANDARD CONNECTOR

UNLESS OTHERWISE SPECIFIED: DIMENSIONS ARE IN INCHES. TOLERANCES ARE: FRACTIONS DECIMALS HOLES ANGLES $\pm 1/64$.XX ± 0.03 .XX ± 0.03 $\pm 0'30$ ' .XXX ± 0.010 .XXX ± 0.010		CONTRACT NO.		 CIAO WIRELESS 4000 VIA PESCADOR CAMARILLO CA, 93012	
MATERIAL ALUMINUM 6061-T6		APPROVALS			
FINISH AMPLIFIER: GOLD PLATE PER MIL-G-45204 TYPE III FIXTURE: CHEMFILM PER MIL-C-5541E CL 1A		DRAWN: S. BROWN		MFB1-C/MFB1 ICD AMP ASSY	
NEXT ASSY		USED ON		QUALITY ASSURANCE:	SIZE B
APPLICATION		DO NOT SCALE DRAWING		MANUFACTURING:	CAGE CODE 3DJK4
					DWG. NO. 30255
					REV. B
					SCALE 1/1
					SHEET 1 OF 1

DWG NO. 30255 REF B

20-0000-0010-1, REV A, V17