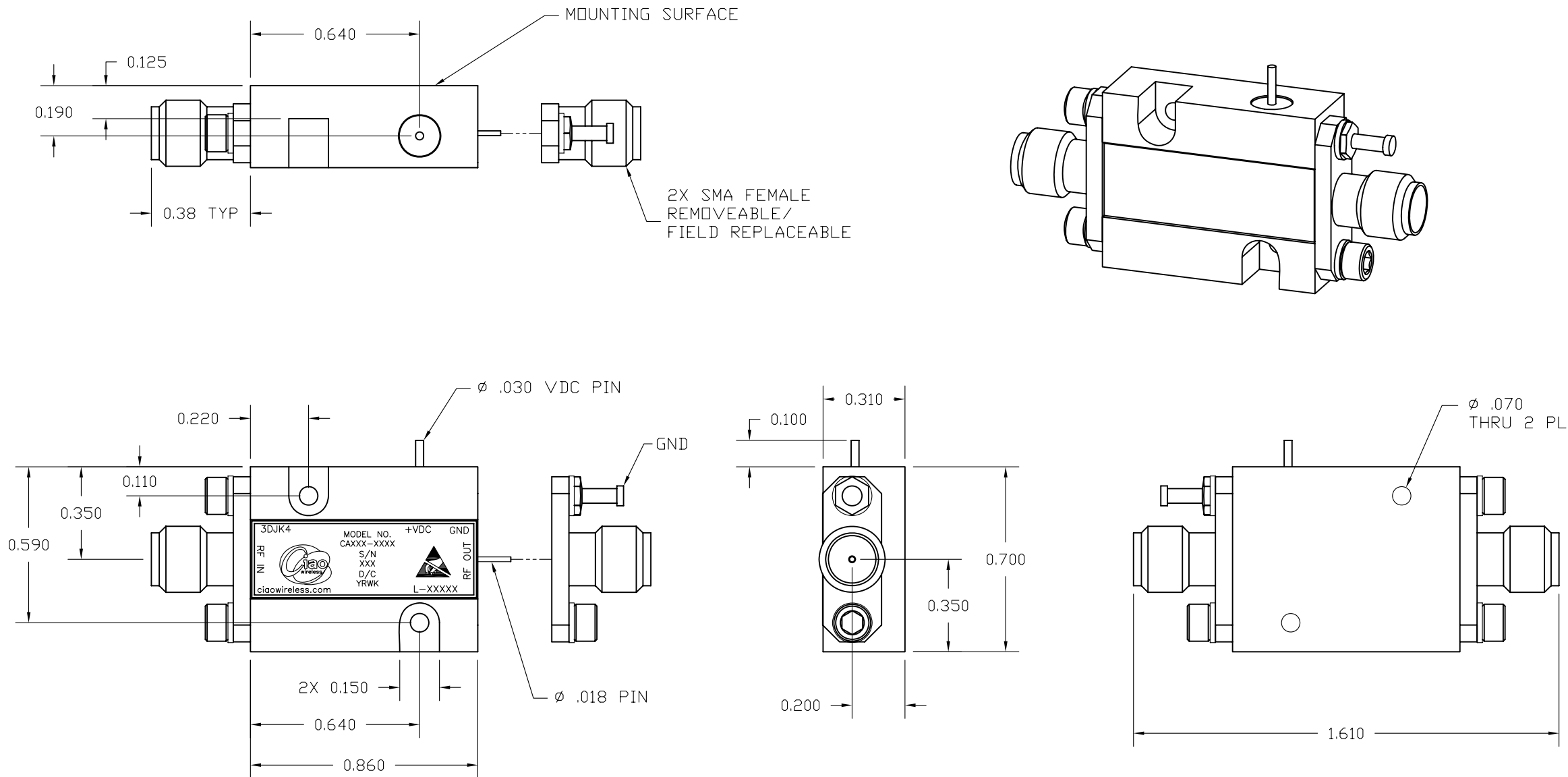


**** PROPRIETARY DATA ****
 THIS DOCUMENT CONTAINS DATA WHICH IS PROPRIETARY OR CONFIDENTIAL TO CIAO WIRELESS. THIS DOCUMENT AND THE DATA CONTAINED HEREIN SHALL NOT BE USED, DUPLICATED, OR ALTERED WITHOUT THE EXPRESSED WRITTEN CONSENT OF CIAO WIRELESS. ALL RIGHTS ARE RESERVED.

REVISIONS					
ZONE	REV	DESCRIPTION	ECO#	DATE	APPROVED
	A	RELEASED			
	B	UPDATED DIMENSION	4106		



NOTES:
 1. OUTLINE IS AVAILABLE IN "STEP", "IGES", OR "DWG" FORMATS UPON

	CA218-2441LF
NEXT ASSY	USED ON
APPLICATION	DO NOT SCALE DRAWING

UNLESS OTHERWISE SPECIFIED: DIMENSIONS ARE IN INCHES. TOLERANCES ARE: FRACTIONS DECIMALS HOLES ANGLES $\pm 1/64$.XX ± 0.03 .XX ± 0.03 $\pm 0'30"$.XXX ± 0.010 .XXX ± 0.010 MACHINED FINISH: 32 RMS REMOVE BURRS .005 MAX		CONTRACT NO.	
MATERIAL		APPROVALS DATE	
ALUMINUM 6061-T6		M. BECKNER 5/27/14	
FINISH ELECTROLESS NICKEL PER MIL-C-26074 CLASS 4 GRADE B .0005 \pm .0001 MAX		ENGINEERING:	
QUALITY ASSURANCE:		MANUFACTURING:	
DRAWN: M. BECKNER		DATE: 5/27/14	
NEXT ASSY: CA218-2441LF		QUALITY ASSURANCE:	
APPLICATION: DO NOT SCALE DRAWING		MANUFACTURING:	
DRAWING NO. 30645		SHEET 1 OF 1	

MF3R-1 ICD AMPLIFIER ASSY

SIZE	CAGE CODE	DWG. NO.	REV.
B	3DJK4	30645	B

DWG. NO. 30645 REV. B