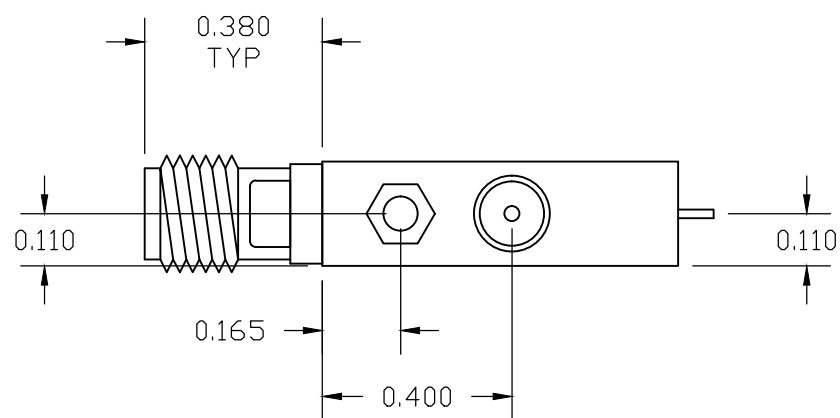
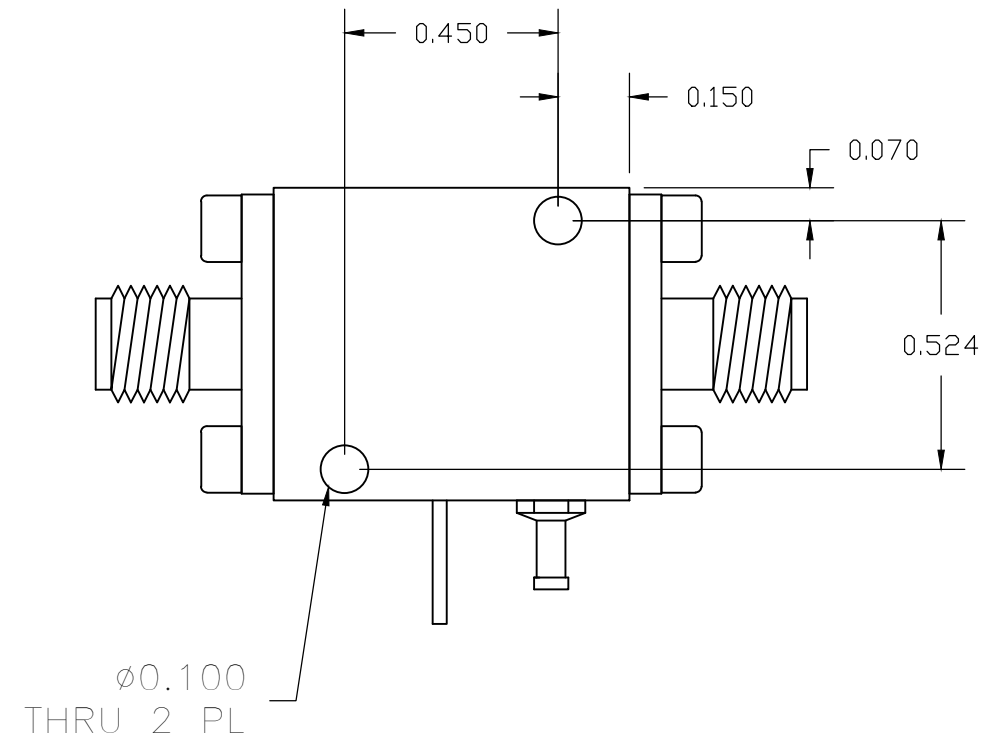
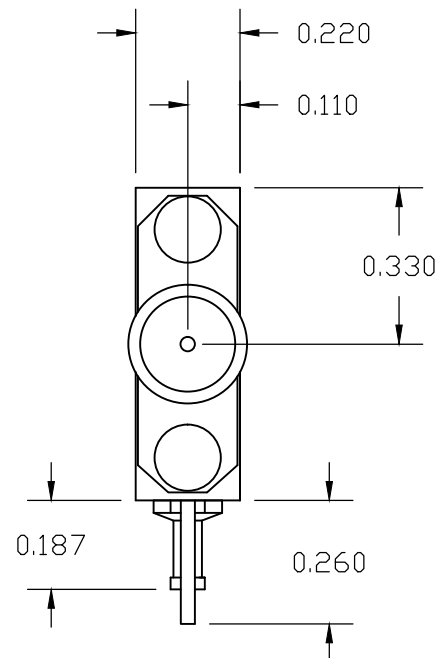
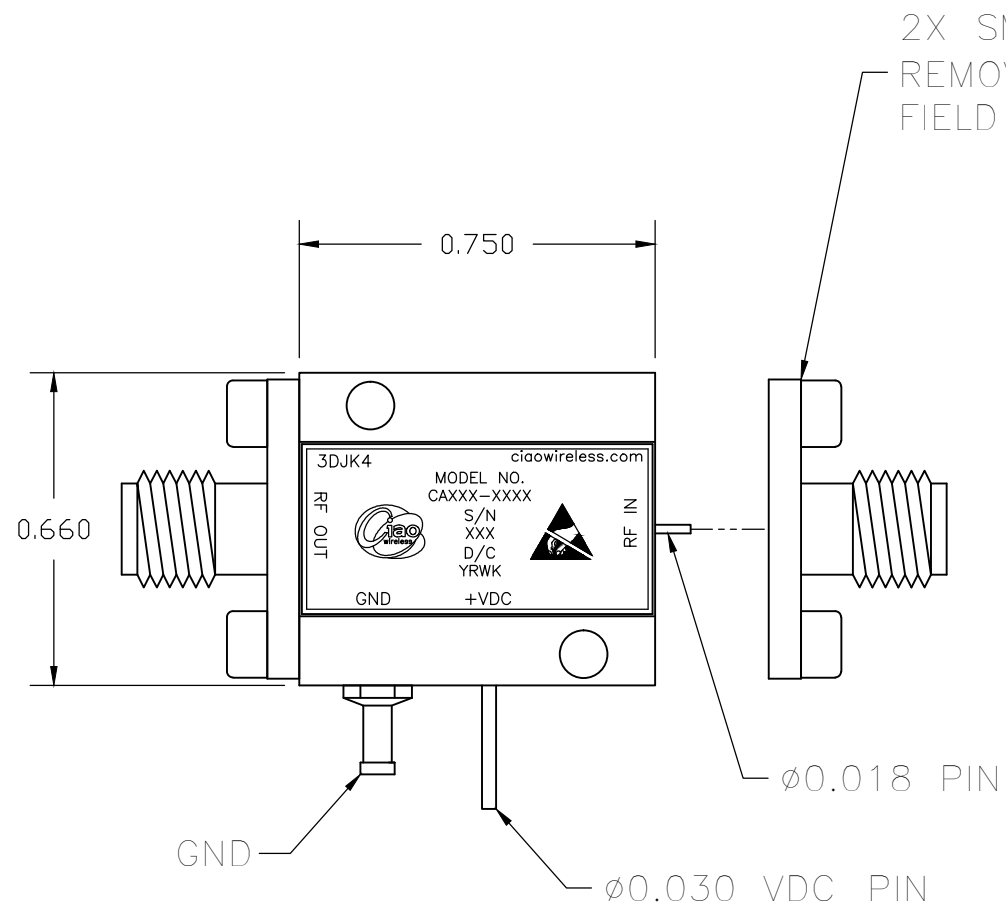


**** PROPRIETARY DATA ****
 THIS DOCUMENT CONTAINS DATA WHICH IS PROPRIETARY OR CONFIDENTIAL TO CIAO WIRELESS. THIS DOCUMENT AND THE DATA CONTAINED HEREIN SHALL NOT BE USED, DUPLICATED, OR ALTERED WITHOUT THE EXPRESSED WRITTEN CONSENT OF CIAO WIRELESS. ALL RIGHTS ARE RESERVED.

REVISIONS					
ZONE	REV	DESCRIPTION	ECO#	DATE	APPROVED
	A	RELEASED			



NOTES:

1. OUTLINE IS AVAILABLE IN "STEP", "IGES", OR "DWG" FORMATS UPON REQUEST.

NEXT ASSY	USED ON
APPLICATION	

UNLESS OTHERWISE SPECIFIED: DIMENSIONS ARE IN INCHES. TOLERANCES ARE:
 FRACTIONS DECIMALS HOLES ANGLES
 ± 1/64 .XX ±.03 .XX ±.03 ± 0°30'
 .XXX ±.010 .XXX ±.010

MACHINED FINISH: 32 RMS
 REMOVE BURRS .005 MAX

MATERIAL: ALUMINUM 6061-T6

FINISH: ELECTROLESS NICKEL PER MIL-C-26074 CLASS 4 GRADE B .0005 ± .0001 MAX

CONTRACT NO.

APPROVALS DATE: 01/26/15

DRAWN: A. ROQUE

ENGINEERING:

QUALITY ASSURANCE:

MANUFACTURING:

CIAO WIRELESS
 4000 VIA PESCADOR
 CAMARILLO CA, 93012

MF1-R-PKG ICD

SIZE: B CAGE CODE: 3DJK4 DWG. NO.: 30508-R REV. A

SCALE: 1/1 SHEET: 1 OF 1

DWG NO. 30508-R REV A

DC-FRM-0015-1, REV A, 1/97