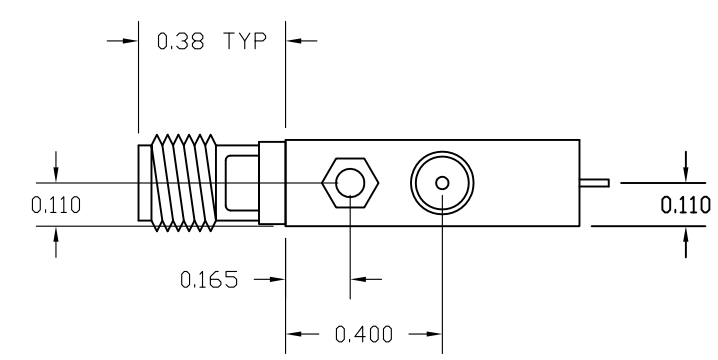
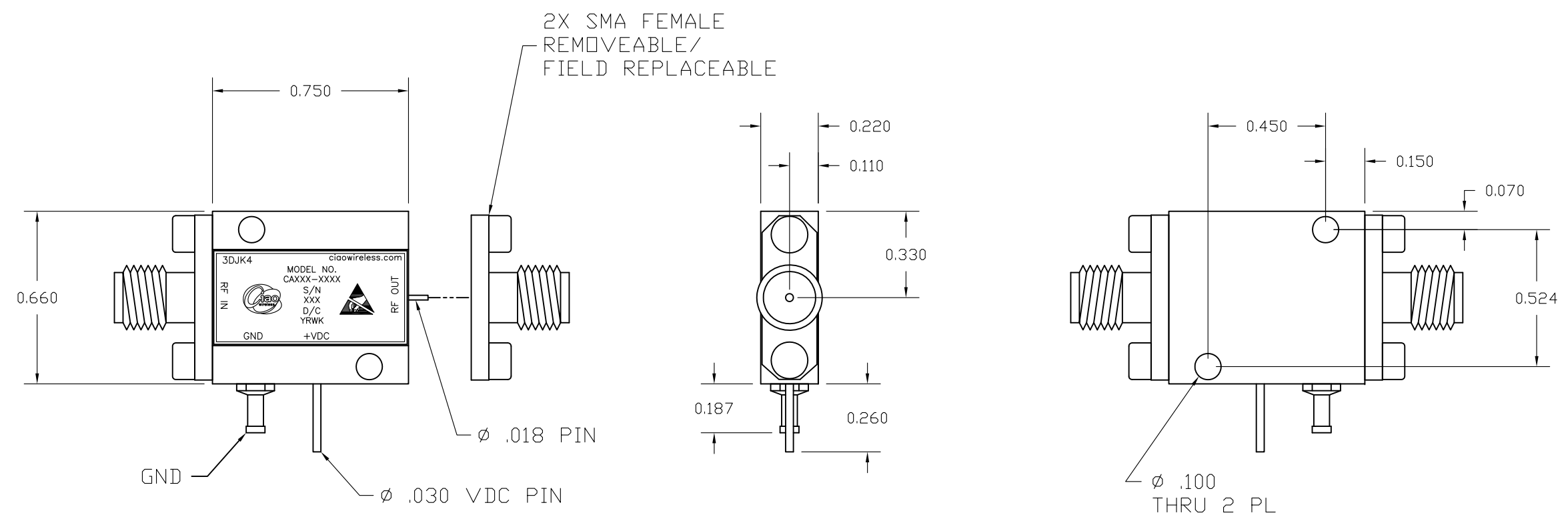



**\*\* PROPRIETARY DATA \*\***  
 THIS DOCUMENT CONTAINS DATA WHICH IS PROPRIETARY OR CONFIDENTIAL TO CIAO WIRELESS. THIS DOCUMENT AND THE DATA CONTAINED HEREIN SHALL NOT BE USED, DUPLICATED, OR ALTERED WITHOUT THE EXPRESSED WRITTEN CONSENT OF CIAO WIRELESS. ALL RIGHTS ARE RESERVED.

REVISIONS					
ZONE	REV	DESCRIPTION	ECO#	DATE	APPROVED
	A	RELEASED			



NOTES:  
 1. OUTLINE IS AVAILABLE IN "STEP", "IGES", OR "DWG" FORMATS UPON

UNLESS OTHERWISE SPECIFIED: DIMENSIONS ARE IN INCHES. TOLERANCES ARE: FRACTIONS DECIMALS HOLES ANGLES $\pm 1/64$ .XX $\pm 0.03$ .XX $\pm 0.03$ $\pm 0'30''$ .XXX $\pm 0.010$ .XXX $\pm 0.010$		CONTRACT NO.		 <b>CIAO WIRELESS</b> 4000 VIA PESCADOR CAMARILLO CA, 93012	
MACHINED FINISH: 32 RMS REMOVE BURRS .005 MAX		APPROVALS DATE			
MATERIAL ALUMINUM 6061-T6		DRAWN: S. BROWN 12/1/12		MF1-PKG ICD SIZE CAGE CODE DWG. NO. REV. B 3DJK4 30508 A	
FINISH ELECTROLESS NICKEL PER MIL-C-26074 CLASS 4 GRADE B .0005 $\pm$ .0001 MAX		ENGINEERING:			
NEXT ASSY	USED ON	QUALITY ASSURANCE:		SCALE 1/1 SHEET 1 OF 1	
APPLICATION		DO NOT SCALE DRAWING		MANUFACTURING:	

DWG NO. 30508

DC-PW-0001-1, REV. A, 1/97