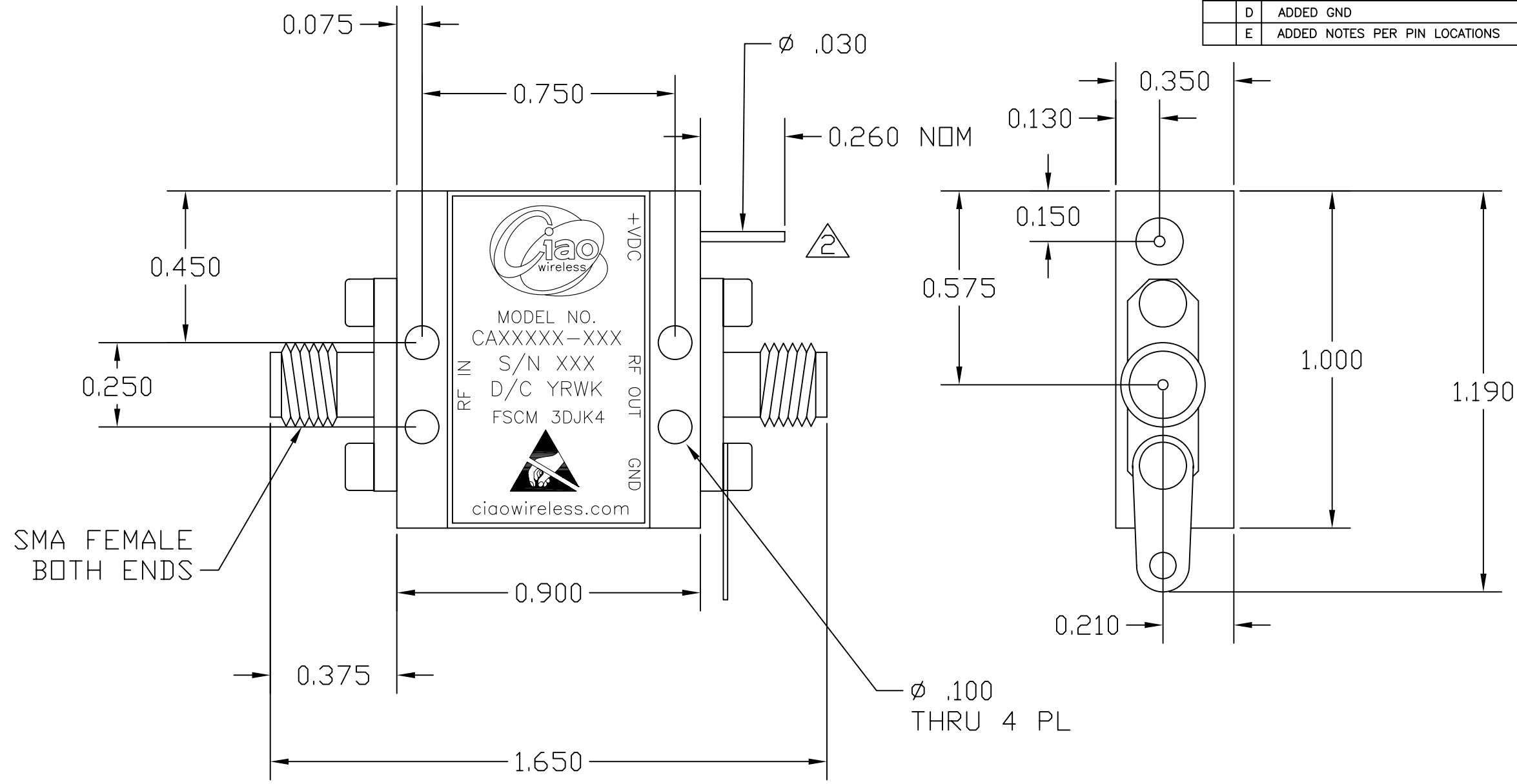


REVISIONS					
ZONE	REV	DESCRIPTION	ECO#	DATE	APPROVED
	A	RELEASED		4/6/04	J.H.
	B	ECO #1699		1/10/08	M.C.
	C	CHANGED TOLERANCE ON HOLES AND DECIMALS	2310	7/27/10	J.V.
	D	ADDED GND	3138	3/21/12	J.H.
	E	ADDED NOTES PER PIN LOCATIONS	3264	06/29/12	J.H.



- NOTES:
- OUTLINE IS AVAILABLE IN "STEP", "IGES", OR "DWG" FORMATS UPON REQUEST.
 - GROUND AND VDC PINS ARE LOCATED APPROXIMATELY WHERE SHOWN AND ARE SUBJECT TO CHANGE WITHOUT NOTICE DUE TO PRODUCT ENHANCEMENT. WHEREVER POSSIBLE CIAO WILL PROVIDE NOTICE OF CHANGES TO CUSTOMER

ITEM NO.	QTY REQD	PART OR IDENTIFYING NO.	NOMENCLATURE OR DESCRIPTION	MATERIAL SPECIFICATION
PARTS LIST				
UNLESS OTHERWISE SPECIFIED: DIMENSIONS ARE IN INCHES. TOLERANCES ARE:		CONTRACT NO.		
FRACTIONS DECIMALS HOLES ANGLES		APPROVALS DATE		
± 1/64 .XX ±.03 .XX ±.03 ± 0°30'		DRAWN S. BROWN 3/16/04		
MACHINED FINISH: 32 RMS REMOVE BURRS .005 MAX		CHECKED W. QUINONES 4/5/04		
MATERIAL ALUMINUM 6061-T6		MECHANICAL ENGR		
FINISH ELECTROLESS NICKEL PER MIL-C-26074 CLASS 4 GRADE B .0005 ± .0001 MAX		ELECTRICAL ENGR		
NEXT ASSY USED ON		PRODUCT ASSURANCE G. TUFTS 4/6/04		
APPLICATION DO NOT SCALE DRAWING		PLANNING J. HARRISON 4/6/04		
		MANUFACTURING G. WASYLEWSKI 3/16/04		
		SIZE CAGE CODE DWG. NO. REV.		
		B 3DJK4 30019 E		
		SCALE 1/1 SHEET 1 OF 1		



LCFB1 ICD AMPLIFIER

30019 REV E