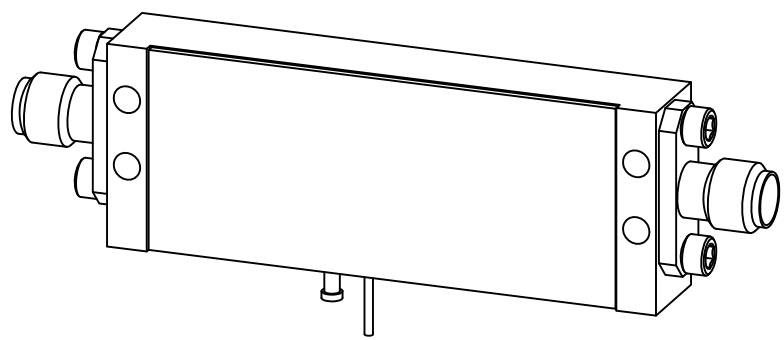
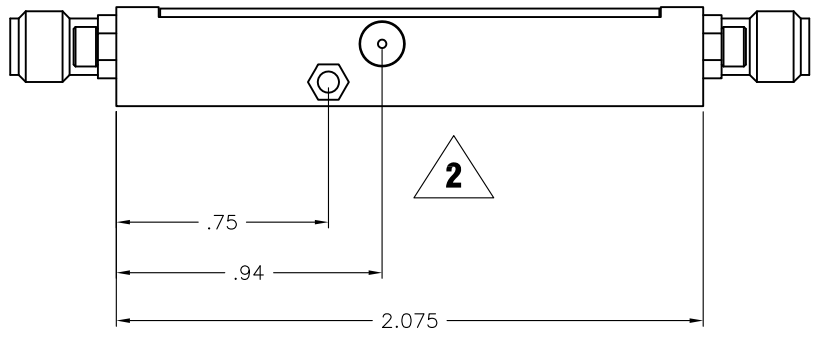
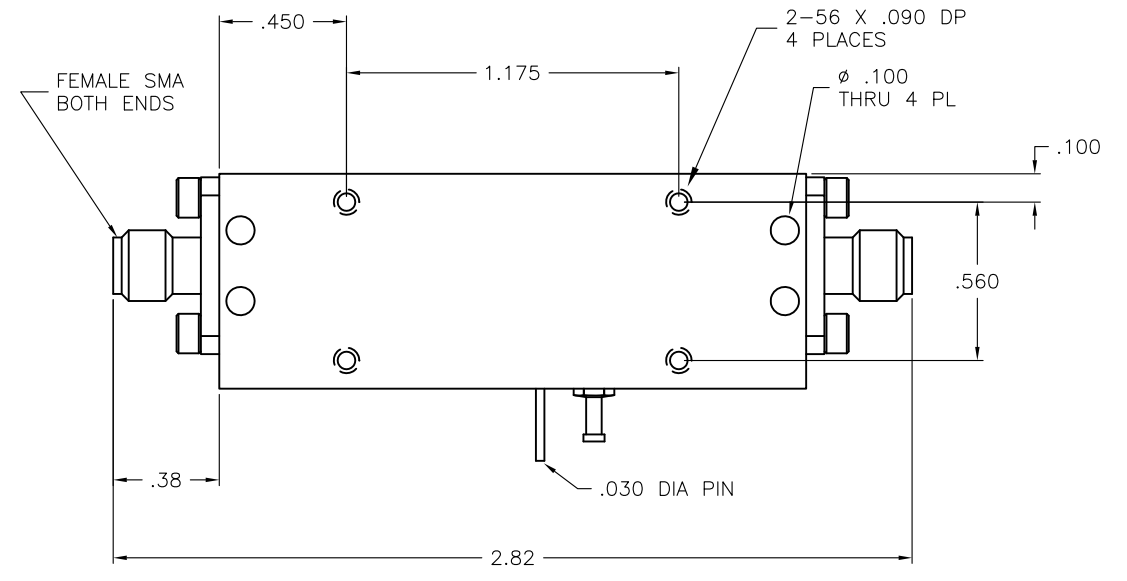
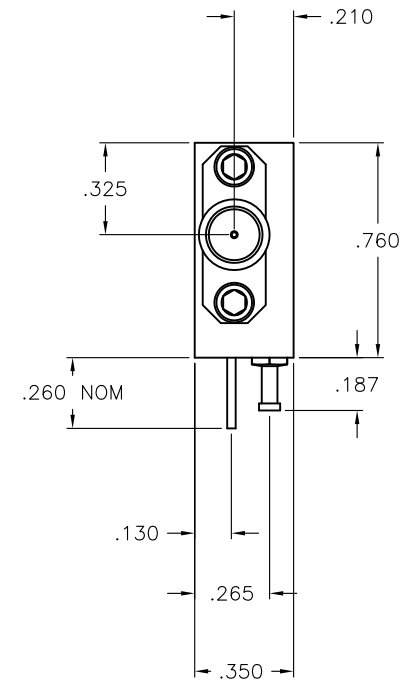
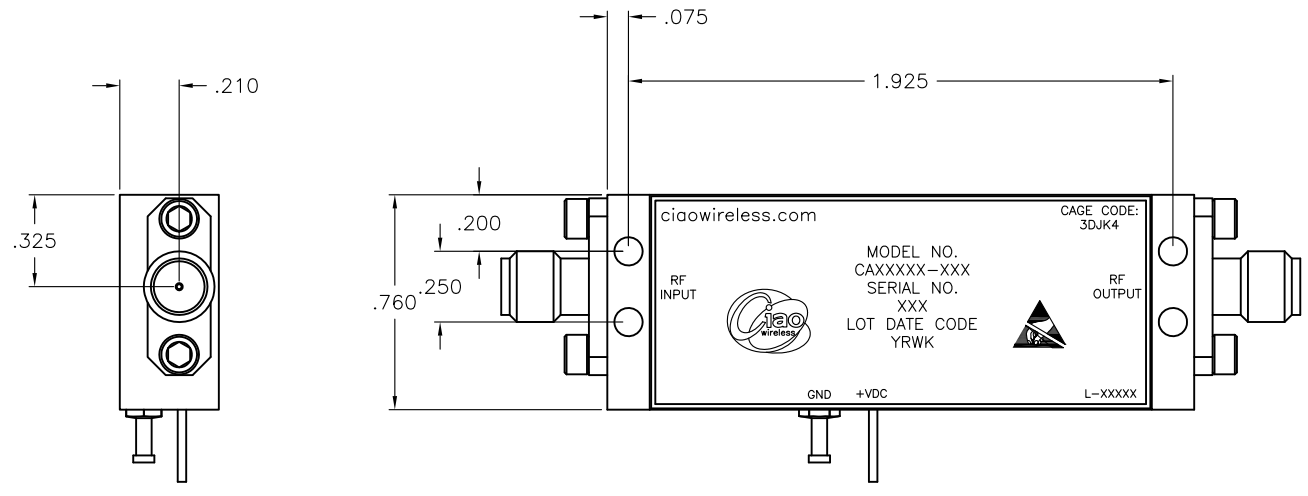


**** PROPRIETARY DATA ****
 THIS DOCUMENT CONTAINS DATA WHICH IS PROPRIETARY OR CONFIDENTIAL TO CIAO WIRELESS. THIS DOCUMENT AND THE DATA CONTAINED HEREIN SHALL NOT BE USED, DUPLICATED, OR ALTERED WITHOUT THE EXPRESSED WRITTEN CONSENT OF CIAO WIRELESS. ALL RIGHTS ARE RESERVED.

| REVISIONS | | | | | |
|-----------|-----|-------------|------|------|----------|
| ZONE | REV | DESCRIPTION | ECO# | DATE | APPROVED |
| | A | RELEASED | | | |




NOTES:

1. OUTLINE IS AVAILABLE IN "STEP", "IGES", OR "DWG" FORMATS UPON REQUEST.

2. GROUND AND VDC PINS ARE LOCATED APPROXIMATELY WHERE SHOWN AND ARE SUBJECT TO CHANGE WITHOUT NOTICE DUE TO PRODUCT ENHANCEMENT. WHEREVER POSSIBLE CIAO WILL PROVIDE NOTICE OF CHANGES TO CUSTOMER

| | |
|-------------|---------|
| | |
| | |
| | |
| NEXT ASSY | USED ON |
| APPLICATION | |

| | | | | | |
|--|--|--------------------|--|--|--|
| UNLESS OTHERWISE SPECIFIED: DIMENSIONS ARE IN INCHES. TOLERANCES ARE: FRACTIONS DECIMALS HOLES ANGLES $\pm 1/64$.XX ± 0.03 .XX ± 0.03 $\pm 0^{\circ}30'$.XXX ± 0.010 .XXX ± 0.010 MACHINED FINISH: 32 RMS REMOVE BURRS .005 MAX | | CONTRACT NO. | |  CIAO WIRELESS 4000 VIA PESCADOR CAMARILLO CA, 93012 | |
| MATERIAL: ALUMINUM 6061-T6 | | APPROVALS | | | |
| FINISH: ELECTROLESS NICKEL PER MIL-C-26074 CLASS 4 GRADE B .0005 \pm .0001 MAX | | DRAWN: S. BROWN | | 02/01/13 | |
| NEXT ASSY | | ENGINEERING: | | | |
| USED ON | | QUALITY ASSURANCE: | | | |
| APPLICATION: DO NOT SCALE DRAWING | | MANUFACTURING: | | | |
| | | SIZE: B | | CAGE CODE: 3DJK4 | |
| | | DWG. NO.: 30542 | | REV. A | |
| | | SCALE: 1/1 | | SHEET 1 OF 1 | |

30542 REV A

30542 REV A 1/1