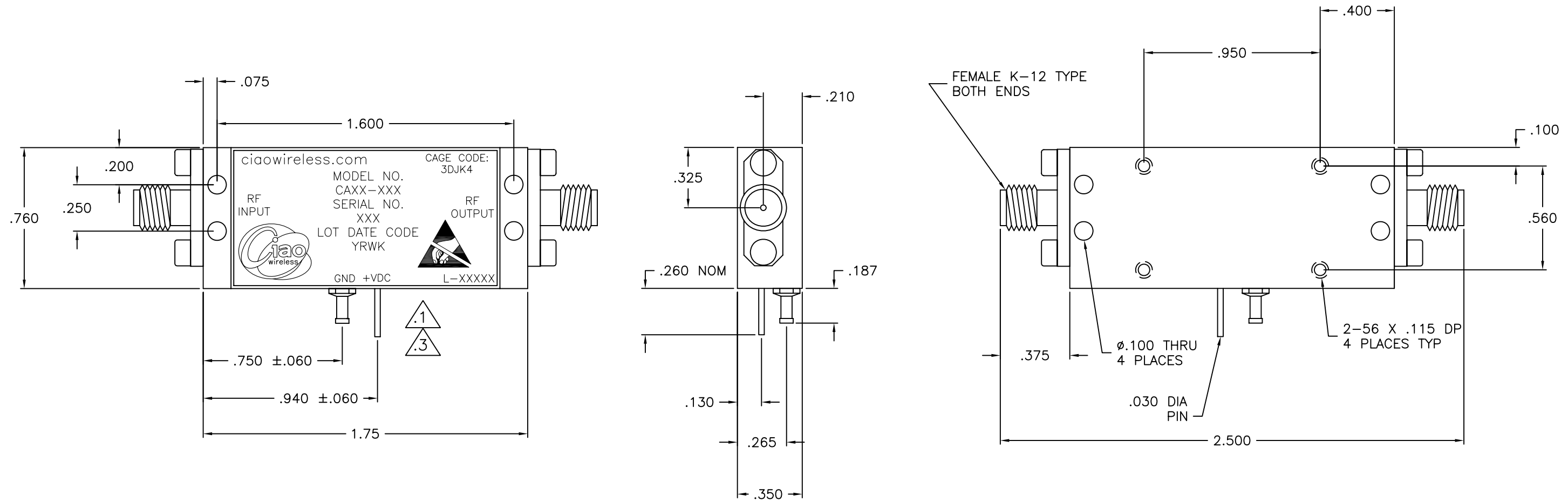


**** PROPRIETARY DATA ****
 THIS DOCUMENT CONTAINS DATA WHICH IS PROPRIETARY OR CONFIDENTIAL TO CIAO WIRELESS. THIS DOCUMENT AND THE DATA CONTAINED HEREIN SHALL NOT BE USED, DUPLICATED, OR ALTERED WITHOUT THE EXPRESSED WRITTEN CONSENT OF CIAO WIRELESS. ALL RIGHTS ARE RESERVED.

REVISIONS					
ZONE	REV	DESCRIPTION	ECO#	DATE	APPROVED
	A	RELEASED		3/9/12	J. H.



- NOTES:
- GROUND LUG LOCATION SLIGHTLY RELOCATED ON REV C DUE TO PRODUCT ENHANCEMENT. IF PREVIOUS GROUND LUG LOCATION IS REQUIRED, CONTACT THE FACTORY IMMEDIATELY AS CIAO CAN ACCOMMODATE YOUR REQUEST.
 - OUTLINE IS AVAILABLE IN "STEP", "IGES", OR "DWG" FORMATS UPON REQUEST.
 - GROUND AND VDC PINS ARE LOCATED APPROXIMATELY WHERE SHOWN AND ARE SUBJECT TO CHANGE WITHOUT NOTICE DUE TO PRODUCT ENHANCEMENT. WHEREVER POSSIBLE CIAO WILL PROVIDE NOTICE OF CHANGES TO CUSTOMER

UNLESS OTHERWISE SPECIFIED: DIMENSIONS ARE IN INCHES. TOLERANCES ARE: FRACTIONS DECIMALS HOLES ANGLES $\pm 1/64$.XX ± 0.03 .XX ± 0.03 $\pm 0'30$.XXX ± 0.010 .XXX ± 0.010 MACHINED FINISH: 32 RMS REMOVE BURRS .005 MAX		CONTRACT NO.		CIAO WIRELESS 4000 VIA PESCADOR CAMARILLO CA, 93012	
MATERIAL ALUMINUM 6061-T6		APPROVALS			
NEXT ASSY		CA1832-442		USED ON	
APPLICATION		DO NOT SCALE DRAWING		G. WASYLEWSKI	
FINISH		ELECTROLESS NICKEL PER MIL-C-26074 CLASS 4 GRADE B .0005 \pm .0001 MAX		M. BECKNER	
				M. JUAREZ	
				J. HARRISON	
				G. WASYLEWSKI	
				3/27/12	
				3/7/12	
				3/9/12	
				3/8/12	
				SCALE 1/1	
				SHEET 1 OF 1	
				K4-K-12 ICD	
				SIZE B	
				CAGE CODE 3DJK4	
				DWG. NO. 30017-K-12	
				REV. A	

DWG NO. 30017-K-12 REV A

DWG NO. 30017-K-12 REV A