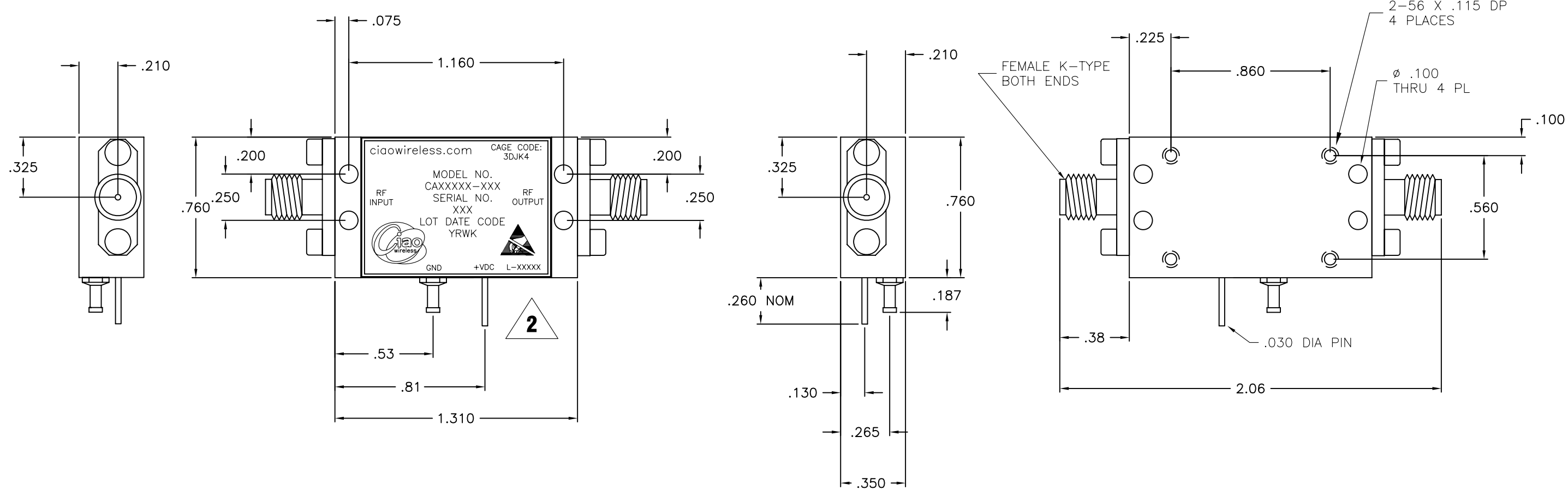
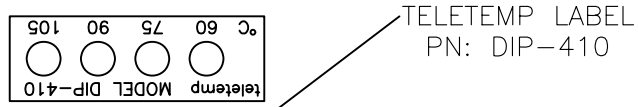


**\*\* PROPRIETARY DATA \*\***  
 THIS DOCUMENT CONTAINS DATA WHICH IS PROPRIETARY OR CONFIDENTIAL TO CIAO WIRELESS. THIS DOCUMENT AND THE DATA CONTAINED HEREIN SHALL NOT BE USED, DUPLICATED, OR ALTERED WITHOUT THE EXPRESSED WRITTEN CONSENT OF CIAO WIRELESS. ALL RIGHTS ARE RESERVED.

REVISIONS					
ZONE	REV	DESCRIPTION	ECO#	DATE	APPROVED
	A	RELEASED		04/18/13	R. L.
	B	ADDED TELETEMP LABEL	3808		



**NOTES:**

- 1. OUTLINE IS AVAILABLE IN "STEP", "IGES", OR "DWG" FORMATS UPON REQUEST.**
- 2. GROUND AND VDC PINS ARE LOCATED APPROXIMATELY WHERE SHOWN AND ARE SUBJECT TO CHANGE WITHOUT NOTICE DUE TO PRODUCT ENHANCEMENT. WHEREVER POSSIBLE CIAO WILL PROVIDE NOTICE OF CHANGES TO CUSTOMER**

UNLESS OTHERWISE SPECIFIED: DIMENSIONS ARE IN INCHES. TOLERANCES ARE: FRACTIONS DECIMALS HOLES ANGLES $\pm 1/64$ .XX $\pm 0.03$ .XX $\pm 0.03$ $\pm 0^{\circ}30'$ .XXX $\pm 0.010$ .XXX $\pm 0.010$ MACHINED FINISH: 32 RMS REMOVE BURRS .005 MAX		CONTRACT NO.		<b>CIAO WIRELESS</b> 4000 VIA PESCADOR CAMARILLO CA, 93012	
MATERIAL: ALUMINUM 6061-T6		APPROVALS DATE			
FINISH ELECTROLESS NICKEL PER MIL-C-26074 CLASS 4 GRADE B .0005 $\pm$ .0001 MAX		DRAWN: S. BROWN 03/05/13		K3S-NR-K ICD AMP SIZE CAGE CODE DWG. NO. REV. B 3DJJK4 30537-K B	
NEXT ASSY USED ON APPLICATION DO NOT SCALE DRAWING		ENGINEERING: M. JUAREZ 04/18/13 QUALITY ASSURANCE: R. LEABRES 04/18/13 MANUFACTURING: M. CHAO 04/18/13			
		SCALE 1/1		SHEET 1 OF 1	

DWG NO. 30537-K

02-PDR-0015-1 REV. A 7/97