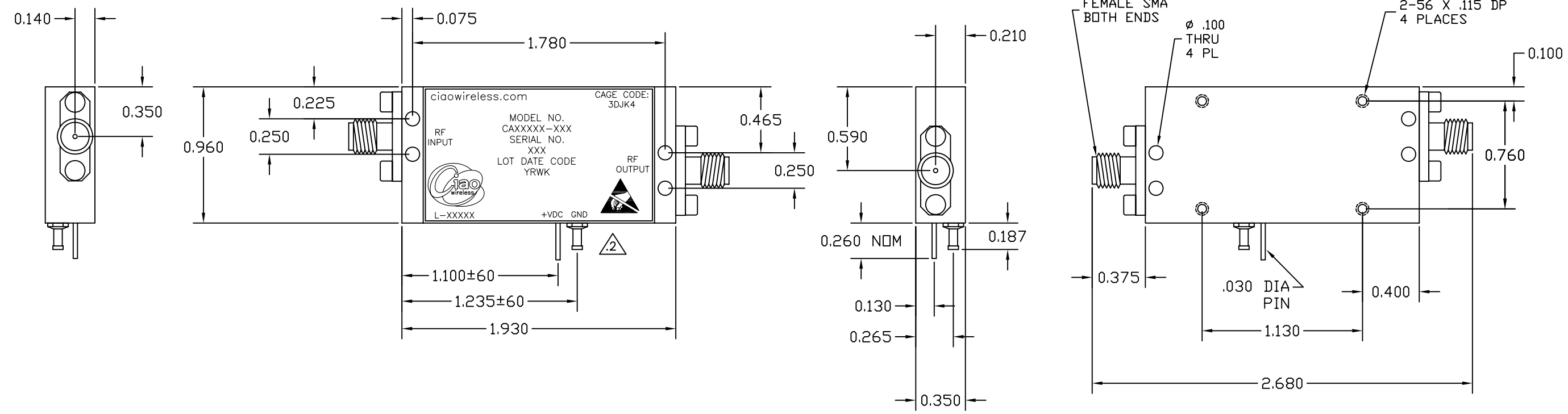


REVISIONS					
ZONE	REV	DESCRIPTION	ECO#	DATE	APPROVED
	A	RELEASED		4/6/04	J.H
	B	ADDED NOMINAL VDC PIN DIMENSION	3164	4/3/12	J.H
	C	ADDED NOTES PER PIN LOCATIONS	3264	06/29/12	J.H



NOTES:

1. OUTLINE IS AVAILABLE IN "STEP", "IGES", OR "DWG" FORMATS UPON REQUEST.
2. GROUND AND VDC PINS ARE LOCATED APPROXIMATELY WHERE SHOWN AND ARE SUBJECT TO CHANGE WITHOUT NOTICE DUE TO PRODUCT ENHANCEMENT. WHEREVER POSSIBLE CIAO WILL PROVIDE NOTICE OF CHANGES TO CUSTOMER

ITEM NO.	QTY REQD	PART OR IDENTIFYING NO.	NOMENCLATURE OR DESCRIPTION	MATERIAL SPECIFICATION
PARTS LIST				
UNLESS OTHERWISE SPECIFIED: DIMENSIONS ARE IN INCHES. TOLERANCES ARE: FRACTIONS DECIMALS HOLES ANGLES ± 1/64 .XX ±.03 .XX ±.03 ± 0°30'			CONTRACT NO.	
MACHINED FINISH: 32 RMS REMOVE BURRS .005 MAX			APPROVALS DATE	
MATERIAL ALUMINUM 6061-T6			DRAWN J. LACBAIN 3/15/04	
FINISH ELECTROLESS NICKEL PER MIL-C-26074 CLASS 4 GRADE B .0005 ± .0001 MAX			CHECKED W. QUINONES 4/5/04	
NEXT ASSY			MECHANICAL ENGR	
USED ON			ELECTRICAL ENGR	
APPLICATION			PRODUCT ASSURANCE G. TUFT 4/6/04	
DO NOT SCALE DRAWING			PLANNING J. HARRISON 4/6/04	
			MANUFACTURING G. WASYLEWSKI 4/6/04	
			SIZE CAGE CODE DWG. NO. REV.	
			B 3DJK4 30023 C	
			SCALE 1/1 SHEET 1 OF 1	

CIAO WIRELESS
4000 VIA PESCADOR
CAMARILLO CA, 93012

C3 ICD AMPLIFIER

DWG NO. 30023