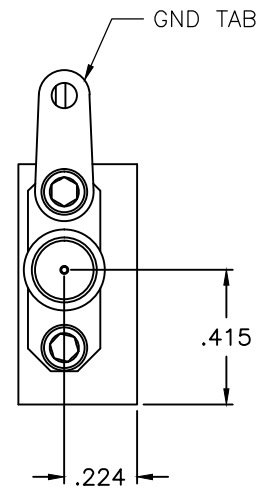
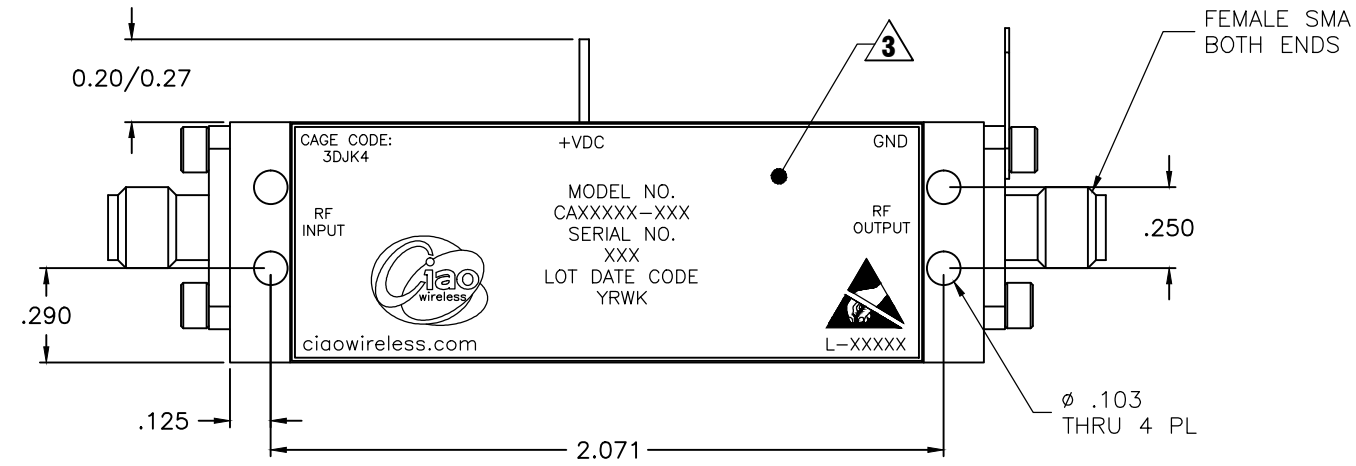
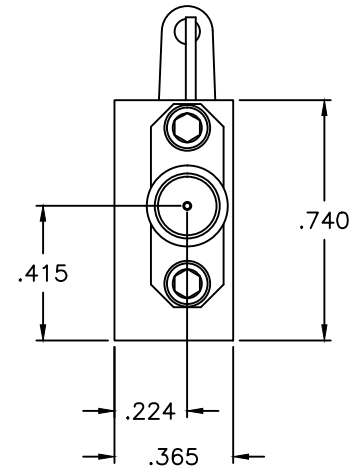
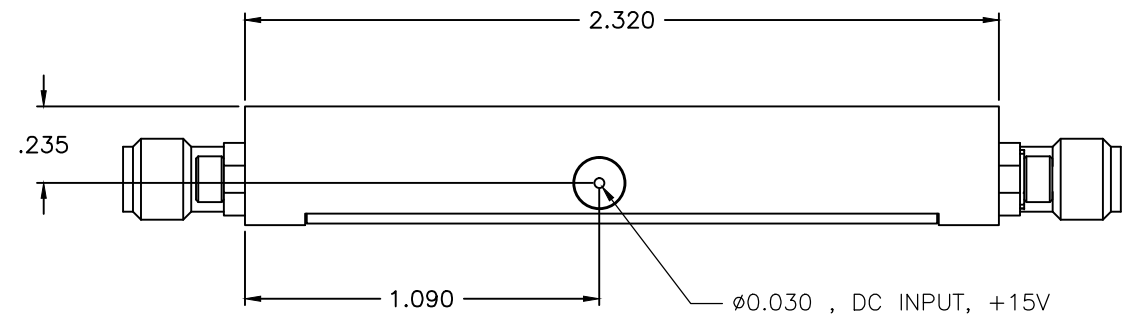
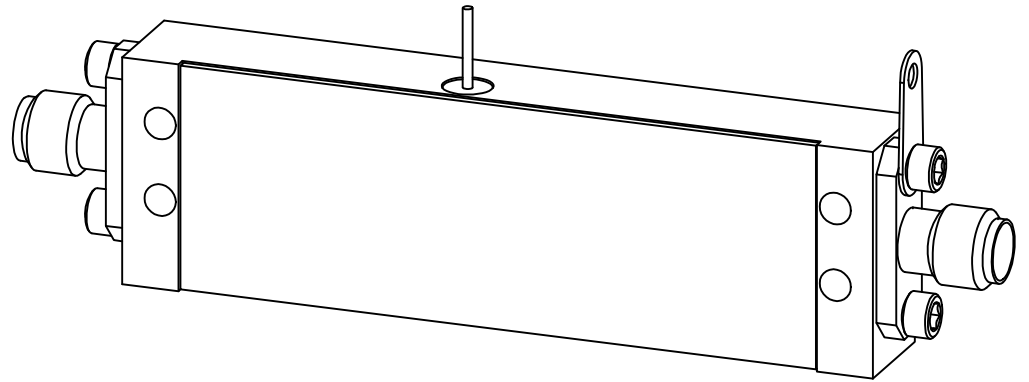
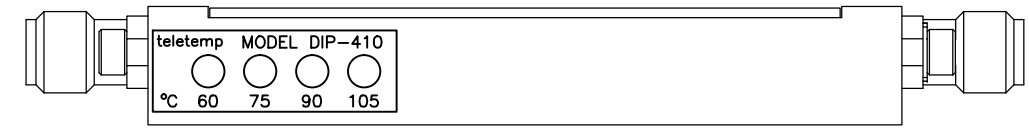


**\*\* PROPRIETARY DATA \*\***  
 THIS DOCUMENT CONTAINS DATA WHICH IS PROPRIETARY OR CONFIDENTIAL TO CIAO WIRELESS. THIS DOCUMENT AND THE DATA CONTAINED HEREIN SHALL NOT BE USED, DUPLICATED, OR ALTERED WITHOUT THE EXPRESSED WRITTEN CONSENT OF CIAO WIRELESS. ALL RIGHTS ARE RESERVED.

REVISIONS					
ZONE	REV	DESCRIPTION	ECO#	DATE	APPROVED
	A	RELEASED		11/4/13	J.H
	B	ADDED FREQUENCY LABEL	4295	10/21/14	J.H
	C	ADDED MARKING/ LABEL NOTES	4748	11/11/15	MS



- NOTES:**
1. OUTLINE IS AVAILABLE IN "STEP", "IGES", OR "DWG" FORMATS UPON REQUEST.
  2. COMPLIANT TO AML K7 SIZE EXCEPT WITH CIAO WIRELESS STANDARD GROUND TAB SIZE AND +VDC PIN LOCATION FROM 1.031 TO 1.090
  - 3 WHERE APPLICABLE, UNIT TO INCLUDE CUSTOMER SPECIFIC MARKING REQUIREMENTS

UNLESS OTHERWISE SPECIFIED: DIMENSIONS ARE IN INCHES. TOLERANCES ARE: FRACTIONS DECIMALS HOLES ANGLES $\pm 1/64$ .XX $\pm 0.03$ .XX $\pm 0.03$ $\pm 0^{\circ}30'$ .XXX $\pm 0.010$ .XXX $\pm 0.010$ MACHINED FINISH: 32 RMS REMOVE BURRS .005 MAX		CONTRACT NO.		<b>CIAO WIRELESS</b> 4000 VIA PESCADOR CAMARILLO CA, 93012	
MATERIAL ALUMINUM 6061-T6		APPROVALS			
FINISH ELECTROLESS NICKEL PER MIL-C-26074 CLASS 4 GRADE B .0005 $\pm$ .0001 MAX		DRAWN: M. BECKNER		11/4/13	
NEXT ASSY		USED ON		ENGINEERING: M. JUAREZ	
APPLICATION DO NOT SCALE DRAWING		MANUFACTURING: M. CHAO		11/4/13	
		SIZE B		CAGE CODE 3DUJK4	
		SCALE 1/1		DWG. NO. 30588	
				REV. C	
				SHEET 1 OF 1	

DWG NO. 30588

DC-FRM-00015-1, REV. A, 1/97