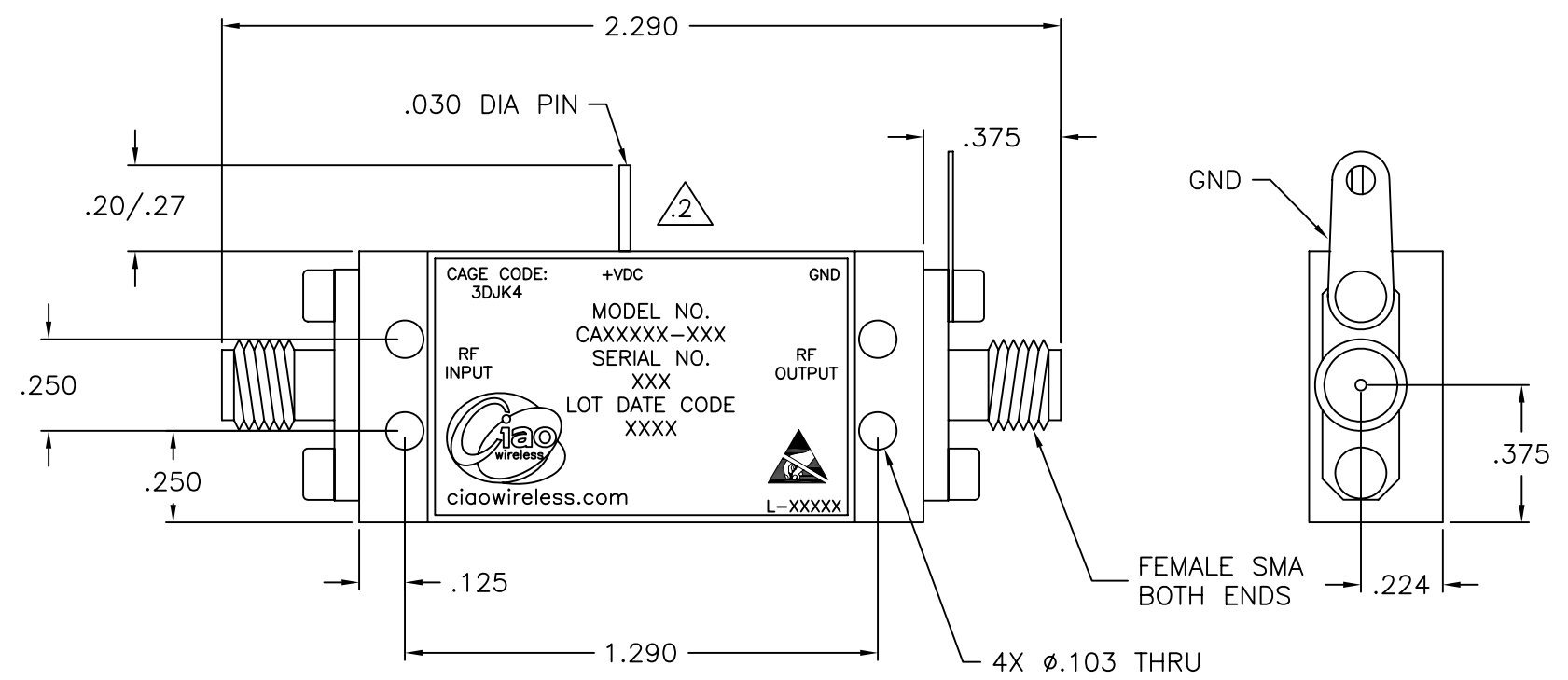
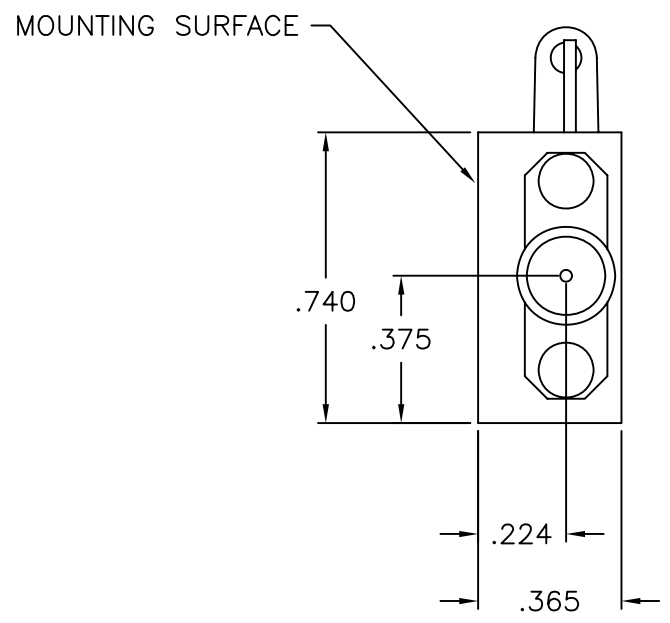
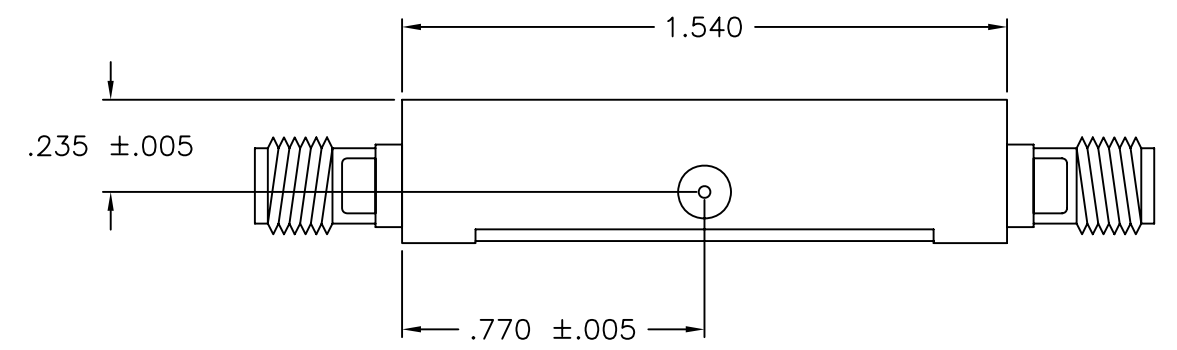


**** PROPRIETARY DATA ****
 THIS DOCUMENT CONTAINS DATA WHICH IS PROPRIETARY OR CONFIDENTIAL TO CIAO WIRELESS. THIS DOCUMENT AND THE DATA CONTAINED HEREIN SHALL NOT BE USED, DUPLICATED, OR ALTERED WITHOUT THE EXPRESSED WRITTEN CONSENT OF CIAO WIRELESS. ALL RIGHTS ARE RESERVED.

REVISIONS					
ZONE	REV	DESCRIPTION	ECO#	DATE	APPROVED
	A	RELEASED		10/26/12	J. H.
	B	UPDATED PACKAGE NAME	3800		



CAGE CODE: 3DJK4
 +VDC GND
 MODEL NO. CAXXXX-XXX
 SERIAL NO. XXX
 LOT DATE CODE XXXX
 L-XXXX
 CIAO WIRELESS
 CIAOWIRELESS.COM

- NOTES:
- OUTLINE IS AVAILABLE IN "STEP", "IGES", OR "DWG" FORMATS UPON REQUEST.
 - GROUND AND VDC PINS ARE LOCATED APPROXIMATELY WHERE SHOWN AND ARE SUBJECT TO CHANGE WITHOUT NOTICE DUE TO PRODUCT ENHANCEMENT. WHEREVER POSSIBLE CIAO WILL PROVIDE NOTICE OF CHANGES TO CUSTOMER

UNLESS OTHERWISE SPECIFIED: DIMENSIONS ARE IN INCHES. TOLERANCES ARE: FRACTIONS DECIMALS HOLES ANGLES $\pm 1/64$.XX ± 0.03 .XX ± 0.03 $\pm 0^{\circ}30'$ MACHINED FINISH: 32 RMS REMOVE BURRS .005 MAX		CONTRACT NO.		CIAO WIRELESS 4000 VIA PESCADOR CAMARILLO CA, 93012	
MATERIAL: ALUMINUM 6061-T6		APPROVALS DATE			
NEXT ASSY: CA18-244L USED ON		FINISH: ELECTROLESS NICKEL PER MIL-C-26074 CLASS 4 GRADE B .0005 \pm .0001 MAX		DRAWN: M. BECKNER 10/26/12	
APPLICATION: DO NOT SCALE DRAWING		MANUFACTURING: G. WASYLEWSKI 10/26/12		ENGINEERING: M. JUAREZ 10/26/12	
		QUALITY ASSURANCE: J. HARRISON 10/26/12		SCALE 1/1	
				SHEET 1 OF 1	

AML K4 MOD PKG ICD
 SIZE: B CAGE CODE: 3DJK4 DWG. NO.: 30499 REV. B

DWG NO. 30499

02-PDR-0015-1, REV. A, 7/7