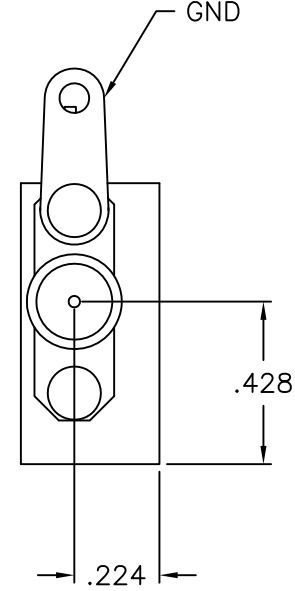
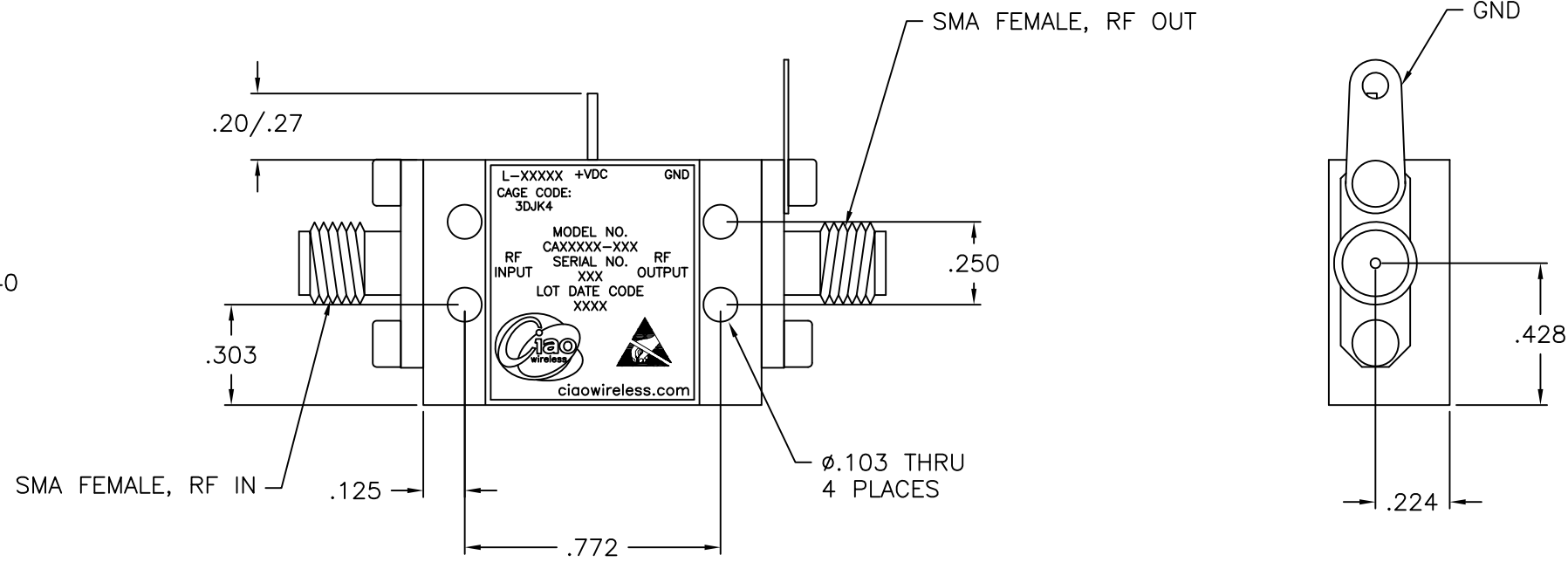
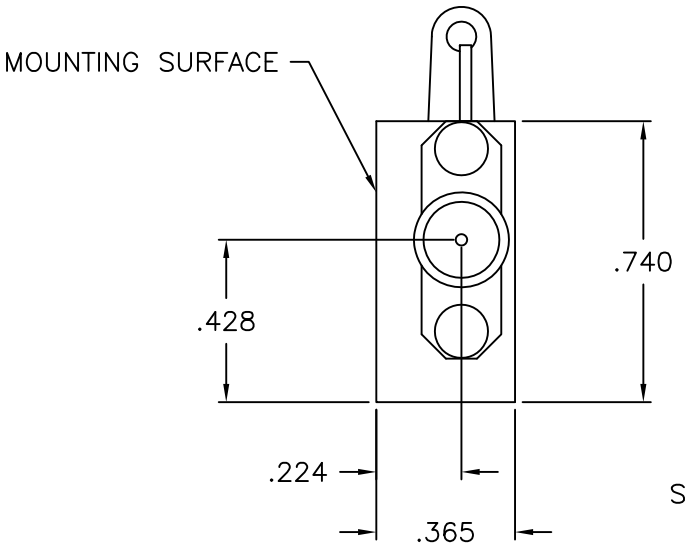
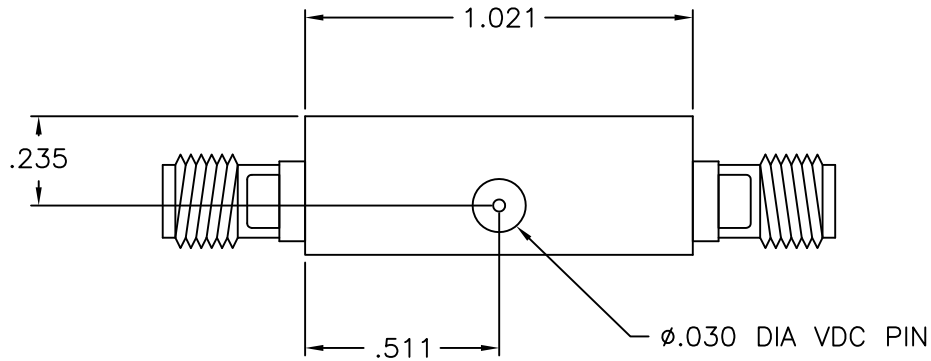



REVISIONS					
ZONE	REV	DESCRIPTION	ECO#	DATE	APPROVED
	A	RELEASED			



ITEM NO.	QTY REQD	PART OR IDENTIFYING NO.	NOMENCLATURE OR DESCRIPTION	MATERIAL SPECIFICATION
PARTS LIST				

UNLESS OTHERWISE SPECIFIED: DIMENSIONS ARE IN INCHES. TOLERANCES ARE: FRACTIONS DECIMALS HOLES ANGLES $\pm 1/64$.XX ± 0.03 .XX ± 0.03 $\pm 0^{\circ}30'$ MACHINED FINISH: 32 RMS REMOVE BURRS .005 MAX		CONTRACT NO.		 CIAO WIRELESS 4000 VIA PESCADOR CAMARILLO CA, 93012
MATERIAL ALUMINUM 6061-T6		APPROVALS DATE DRAWN S. BROWN 1/12/11 CHECKED		
FINISH ELECTROLESS NICKEL PER MIL-C-26074 CLASS 4 GRADE B .0005 \pm .0001 MAX		MECHANICAL ENGR		AML-K2 ICD AMPLIFIER
NEXT ASSY USED ON APPLICATION DO NOT SCALE DRAWING		ELECTRICAL ENGR		
		PRODUCT ASSURANCE		SIZE CAGE CODE DWG. NO. REV. B 3DJK4 30410 A
		PLANNING		SCALE 1/1 SHEET 1 OF 1
		MANUFACTURING		

30410 REV A