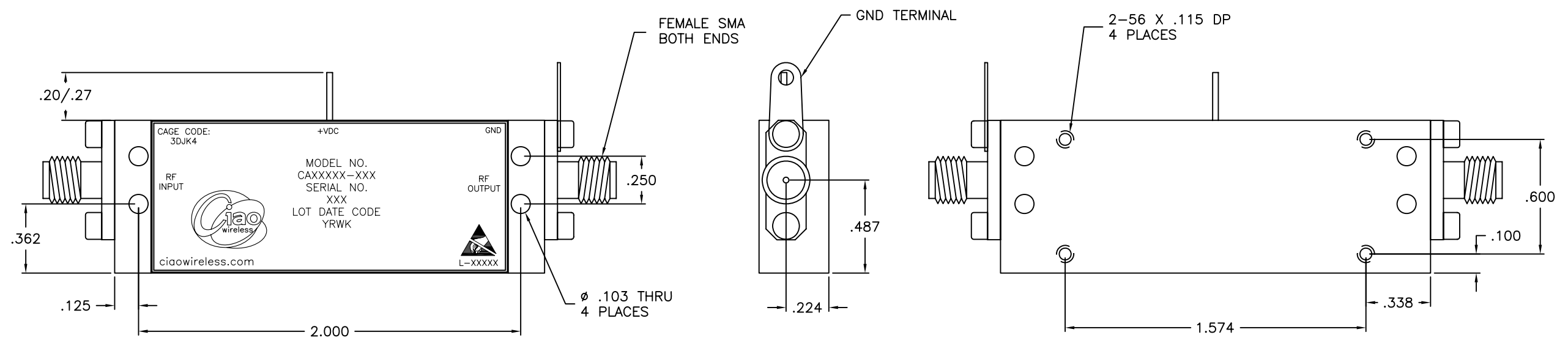
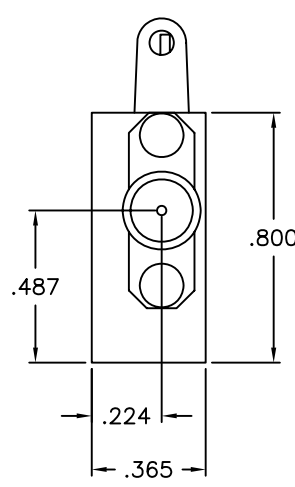
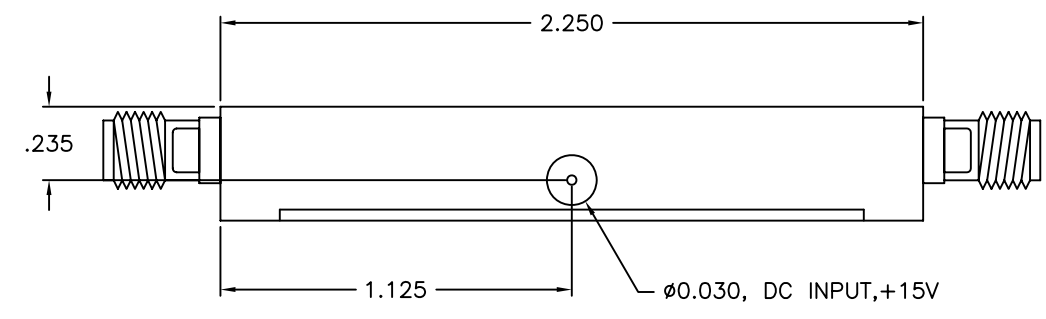


**\*\* PROPRIETARY DATA \*\***  
 THIS DOCUMENT CONTAINS DATA WHICH IS PROPRIETARY OR CONFIDENTIAL TO CIAO WIRELESS. THIS DOCUMENT AND THE DATA CONTAINED HEREIN SHALL NOT BE USED, DUPLICATED, OR ALTERED WITHOUT THE EXPRESSED WRITTEN CONSENT OF CIAO WIRELESS. ALL RIGHTS ARE RESERVED.

REVISIONS					
ZONE	REV	DESCRIPTION	ECO#	DATE	APPROVED
	A	RELEASED			



UNLESS OTHERWISE SPECIFIED: DIMENSIONS ARE IN INCHES. TOLERANCES ARE:  
 FRACTIONS DECIMALS HOLES ANGLES  
 $\pm 1/64$  .XX  $\pm 0.03$  .XX  $\pm 0.03$   $\pm 0'30''$   
 .XXX  $\pm 0.010$  .XXX  $\pm 0.010$   
 MACHINED FINISH: 32 RMS  
 REMOVE BURRS .005 MAX

MATERIAL: ALUMINUM 6061-T6  
 FINISH: ELECTROLESS NICKEL PER MIL-C-26074 CLASS 4 GRADE B .0005  $\pm$  .0001 MAX

CONTRACT NO.  
 APPROVALS: M. BECKNER DATE: 10/31/13  
 ENGINEERING:  
 QUALITY ASSURANCE:  
 MANUFACTURING:

**CIAO WIRELESS**  
 4000 VIA PESCADOR  
 CAMARILLO CA, 93012

C5 ICD (AML)

NEXT ASSY	USED ON
APPLICATION	
DO NOT SCALE DRAWING	

SIZE	CAGE CODE	DWG. NO.	REV.
B	3DJK4	30587	A
SCALE 1/1		SHEET 1 OF 1	

DWG NO. 30587 REV A

DWG NO. 30587 REV A, 1/17