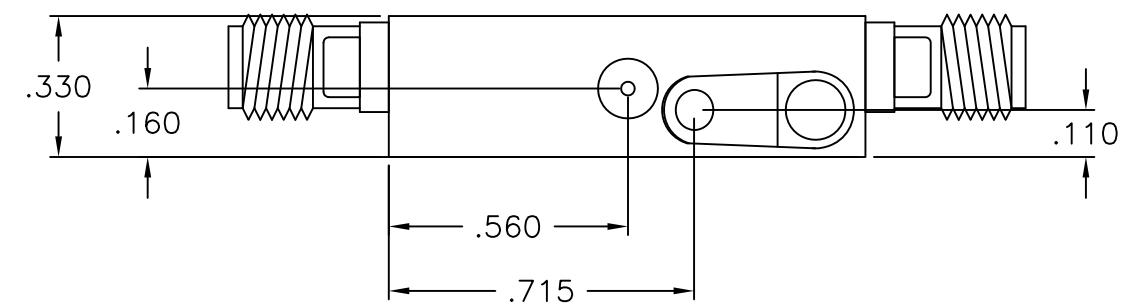
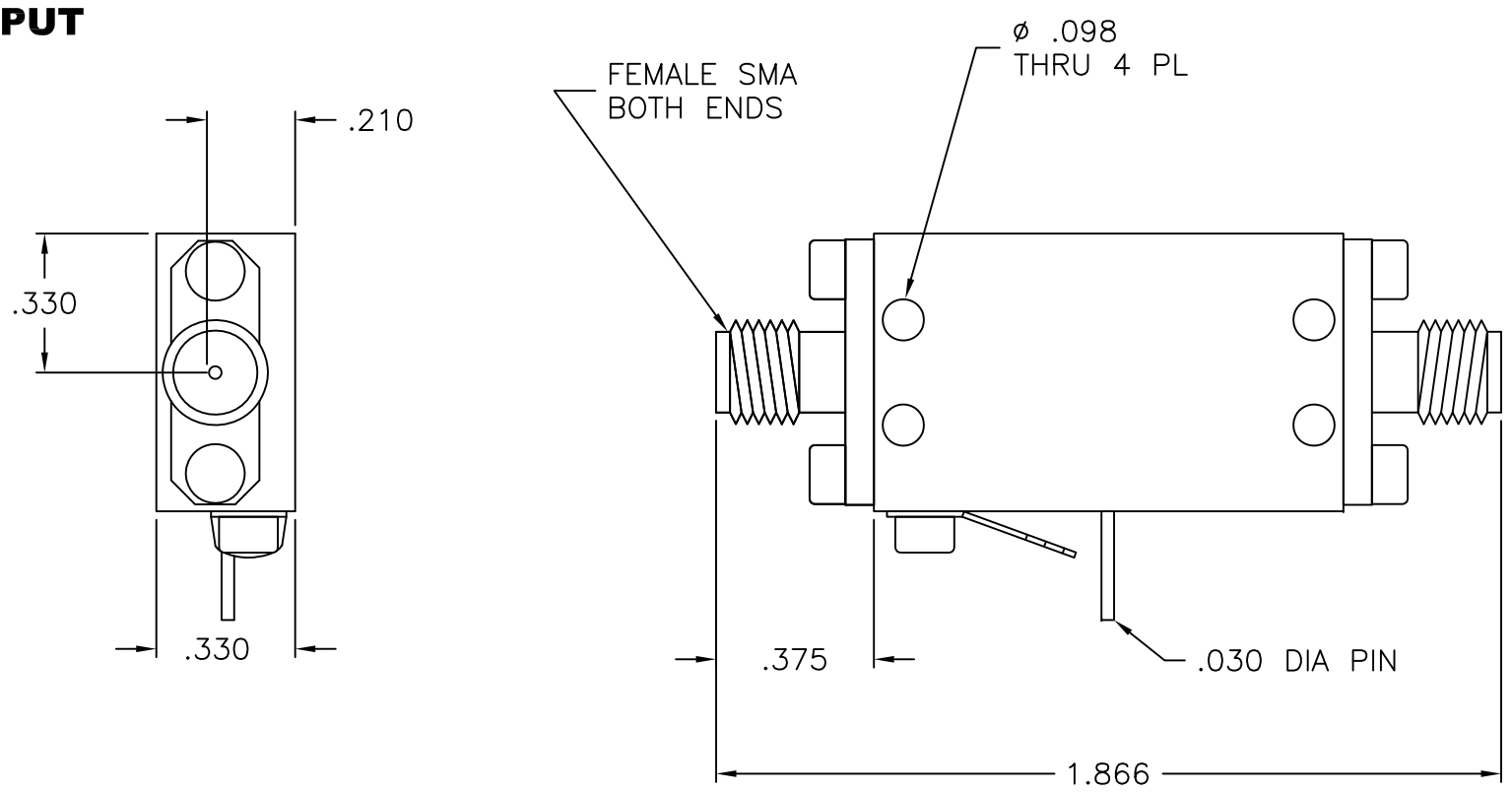
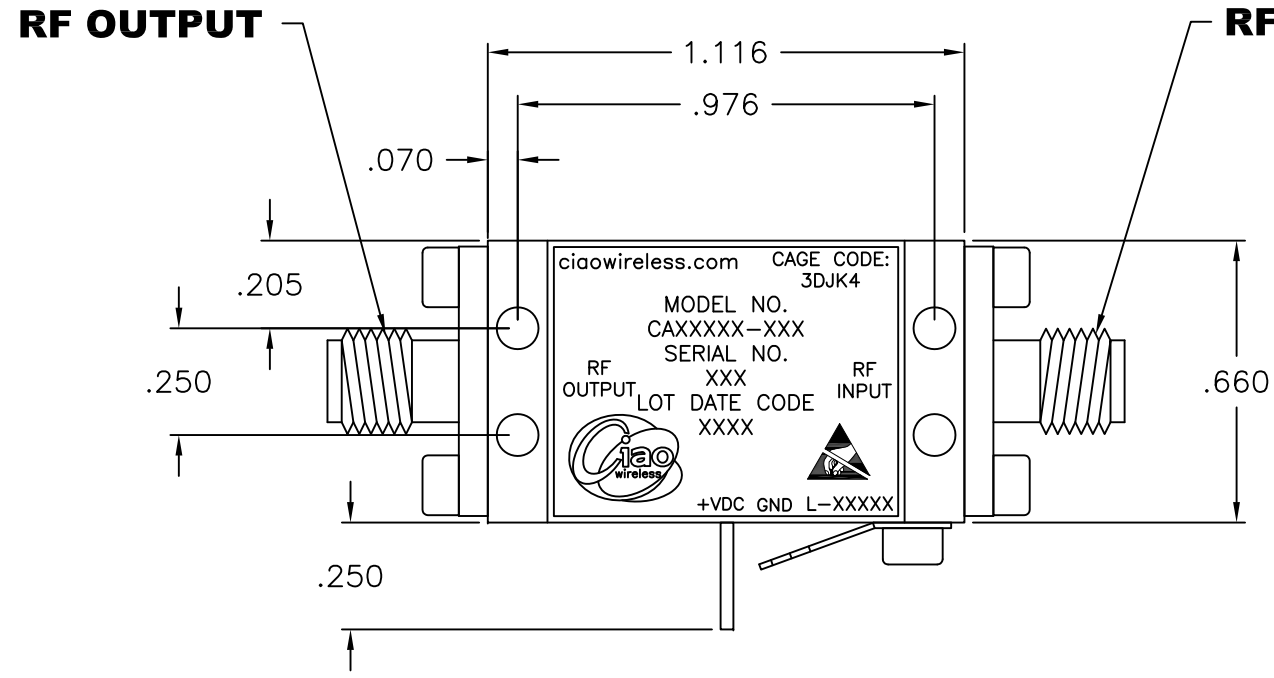


REVISIONS					
ZONE	REV	DESCRIPTION	ECO#	DATE	APPROVED
	A	RELEASED			

UNIT BUILT IN REVERSE



ITEM NO.	QTY REQD	PART OR IDENTIFYING NO.	NOMENCLATURE OR DESCRIPTION	MATERIAL SPECIFICATION
PARTS LIST				

UNLESS OTHERWISE SPECIFIED: DIMENSIONS ARE IN INCHES. TOLERANCES ARE: FRACTIONS DECIMALS HOLES ANGLES ± 1/64 .XX ±.03 .XX ±.03 ± 0°30'		CONTRACT NO.			CIAO WIRELESS 4000 VIA PESCADOR CAMARILLO CA, 93012
MACHINED FINISH: 32 RMS REMOVE BURRS .005 MAX		APPROVALS DATE DRAWN M. BECKNER 7/31/09			
MATERIAL ALUMINUM 6061-T6		CHECKED		ALC/X-K2 NEW ICD AMPLIFIER	
FINISH ELECTROLESS NICKEL PER MIL-C-26074 CLASS 4 GRADE B .0005 ± .0001 MAX		MECHANICAL ENGR			
NEXT ASSY USED ON		ELECTRICAL ENGR			
APPLICATION DO NOT SCALE DRAWING		PRODUCT ASSURANCE			
		PLANNING		SIZE B	CAGE CODE 3DJK4
		MANUFACTURING		DWG. NO. 30389	REV. A
				SCALE 1/1	SHEET 1 OF 1

30389

30389-0015-1, REV. A, 7/09