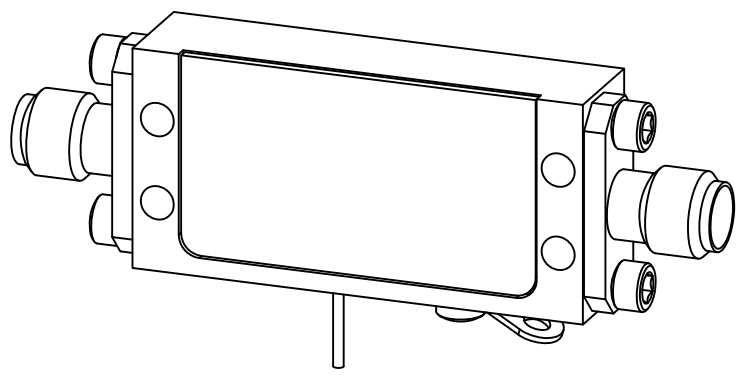
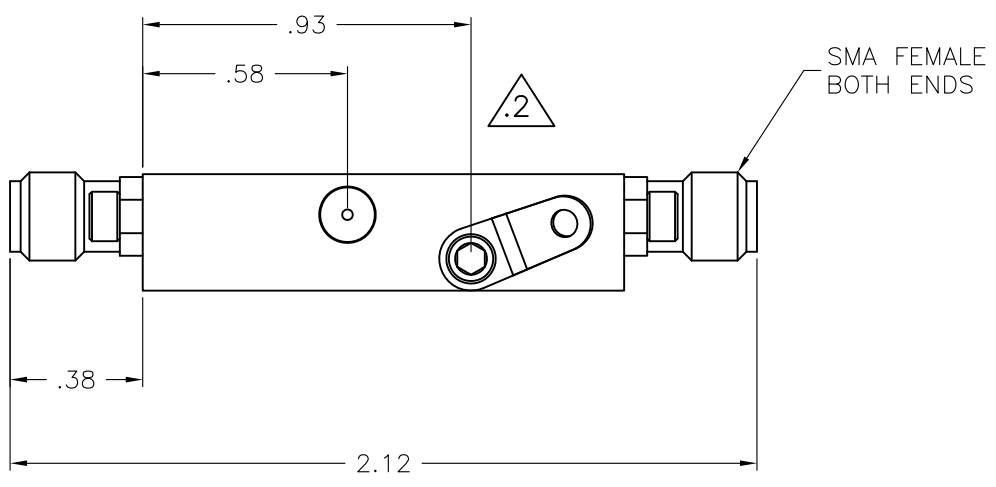
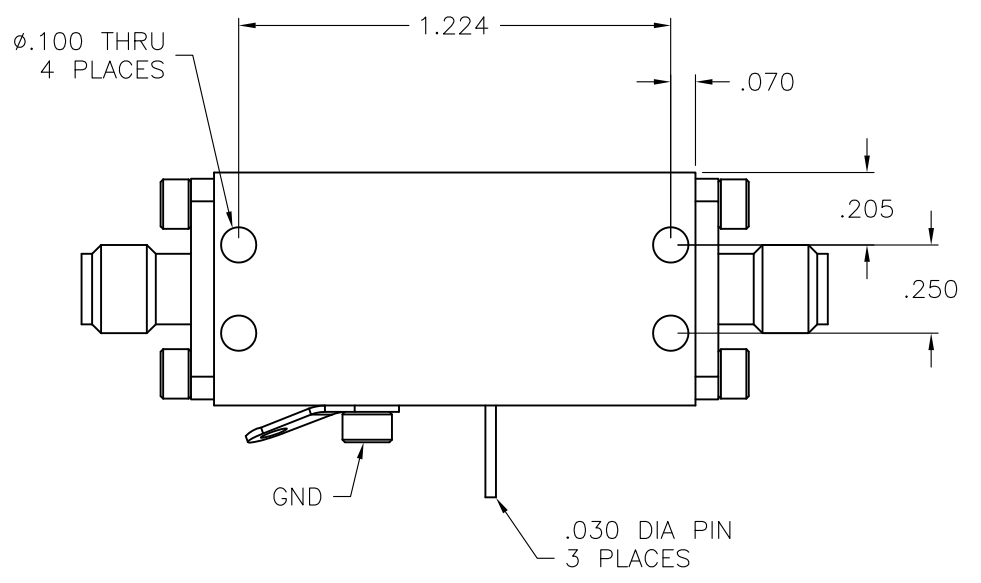
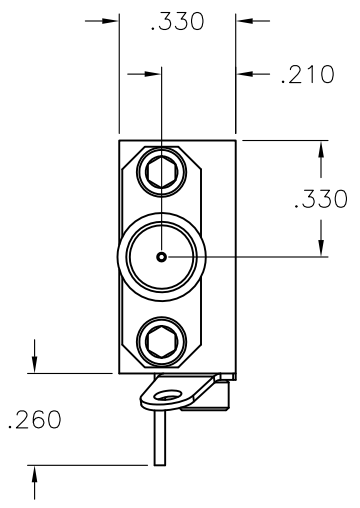
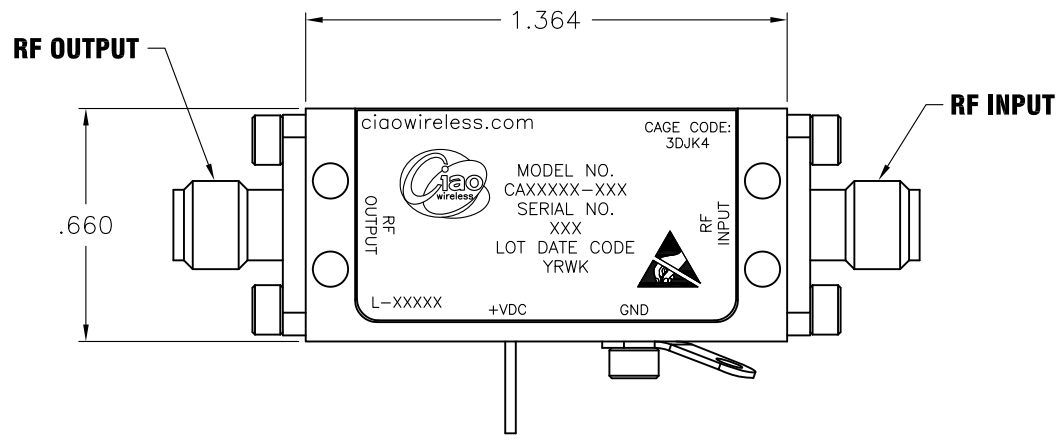


**** PROPRIETARY DATA ****
 THIS DOCUMENT CONTAINS DATA WHICH IS PROPRIETARY OR CONFIDENTIAL TO CIAO WIRELESS. THIS DOCUMENT AND THE DATA CONTAINED HEREIN SHALL NOT BE USED, DUPLICATED, OR ALTERED WITHOUT THE EXPRESSED WRITTEN CONSENT OF CIAO WIRELESS. ALL RIGHTS ARE RESERVED.

REVISIONS					
ZONE	REV	DESCRIPTION	ECO#	DATE	APPROVED
	A	RELEASED			



- NOTES:**
1. OUTLINE IS AVAILABLE IN "STEP", "IGES", OR "DWG" FORMATS UPON REQUEST.
 2. GROUND AND VDC PINS ARE LOCATED APPROXIMATELY WHERE SHOWN AND ARE SUBJECT TO CHANGE WITHOUT NOTICE DUE TO PRODUCT ENHANCEMENT. WHEREVER POSSIBLE CIAO WILL PROVIDE NOTICE OF CHANGES TO CUSTOMER

UNLESS OTHERWISE SPECIFIED: DIMENSIONS ARE IN INCHES. TOLERANCES ARE: FRACTIONS DECIMALS HOLES ANGLES $\pm 1/64$.XX ± 0.03 .XX ± 0.03 $\pm 0^{\circ}30'$.XXX ± 0.010 .XXX ± 0.010 MACHINED FINISH: 32 RMS REMOVE BURRS .005 MAX		CONTRACT NO.	
MATERIAL ALUMINUM 6061-T6		APPROVALS DATE	
FINISH ELECTROLESS NICKEL PER MIL-C-26074 CLASS 4 GRADE B .0005 \pm .0001 MAX		DRAWN: S. BROWN 1/21/13	
NEXT ASSY CA1415-360		ENGINEERING:	
USED ON		QUALITY ASSURANCE:	
APPLICATION DO NOT SCALE DRAWING		MANUFACTURING:	

CIAO WIRELESS
 4000 VIA PESCADOR
 CAMARILLO CA, 93012

ALC-X-K3 ICD			
SIZE B	CAGE CODE 3DJK4	DWG. NO. 30515	REV. A
SCALE 1/1		SHEET 1 OF 1	

DWG NO. 30515 REV A