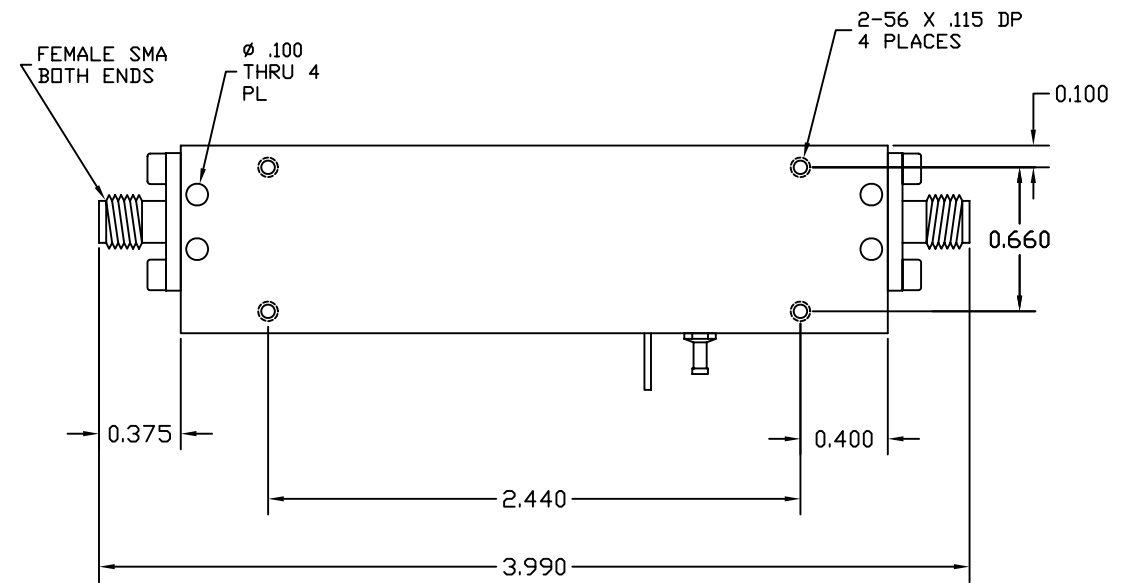
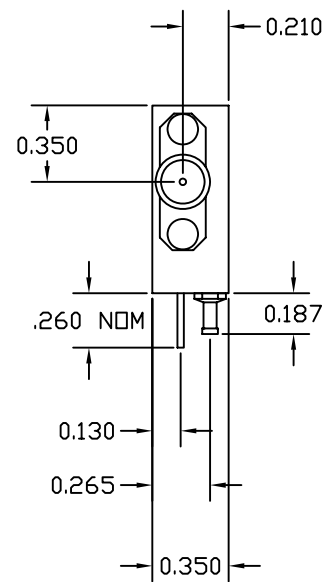
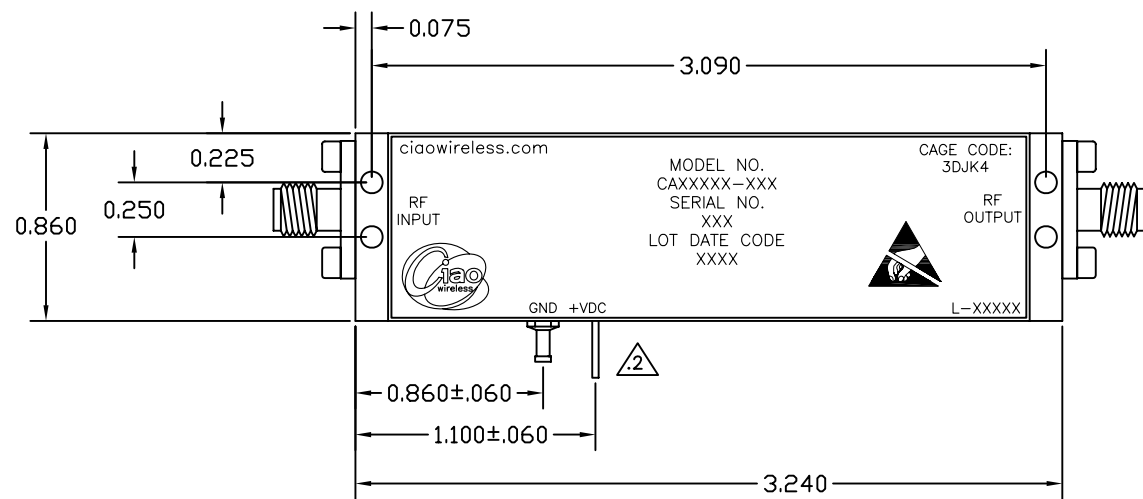


REVISIONS					
ZONE	REV	DESCRIPTION	ECO#	DATE	APPROVED
	A	RELEASED		4/6/04	J.H
	B	ECO #1197		4/21/04	J.H
	C	CHANGED TOLERANCE .XX .01 TO .03	2398	9/29/10	J.V
	D	ADDED NOTES PER PIN LOCATIOS	3264	6/29/12	J.H



NOTES:

1. OUTLINE IS AVAILABLE IN "STEP", "IGES", OR "DWG" FORMATS UPON REQUEST.

2. GROUND AND VDC PINS ARE LOCATED APPROXIMATELY WHERE SHOWN AND ARE SUBJECT TO CHANGE WITHOUT NOTICE DUE TO PRODUCT ENHANCEMENT. WHEREVER POSSIBLE CIAO WILL PROVIDE NOTICE OF CHANGES TO CUSTOMER

ITEM NO.	QTY REQD	PART OR IDENTIFYING NO.	NOMENCLATURE OR DESCRIPTION	MATERIAL SPECIFICATION
PARTS LIST				

UNLESS OTHERWISE SPECIFIED: DIMENSIONS ARE IN INCHES. TOLERANCES ARE:
 FRACTIONS DECIMALS HOLES ANGLES
 $\pm 1/64$.XX ± 0.03 .XX ± 0.03 $\pm 0^{\circ}30'$
 MACHINED FINISH: 32 RMS
 REMOVE BURRS .005 MAX

CONTRACT NO.

APPROVALS DATE

DRAWN J. LACBAIN 3/15/04

CHECKED W. QUINONES 4/5/04

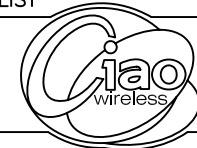
MECHANICAL ENGR

ELECTRICAL ENGR

PRODUCT ASSURANCE G. TUFTS 4/6/04

PLANNING J. HARRISON 4/6/04

MANUFACTURING G. WASYLEWSKI 4/6/04



CIAO WIRELESS
 4000 VIA PESCADOR
 CAMARILLO CA, 93012

XK6 ICD AMPLIFIER

NEXT ASSY	USED ON
APPLICATION	
DO NOT SCALE DRAWING	

SIZE	CAGE CODE	DWG. NO.	REV.
B	3DJK4	30026	D
SCALE	SHEET		1 OF 1
1/1			

DWG NO. 30026

SCALE 1/1 SHEET 1 OF 1