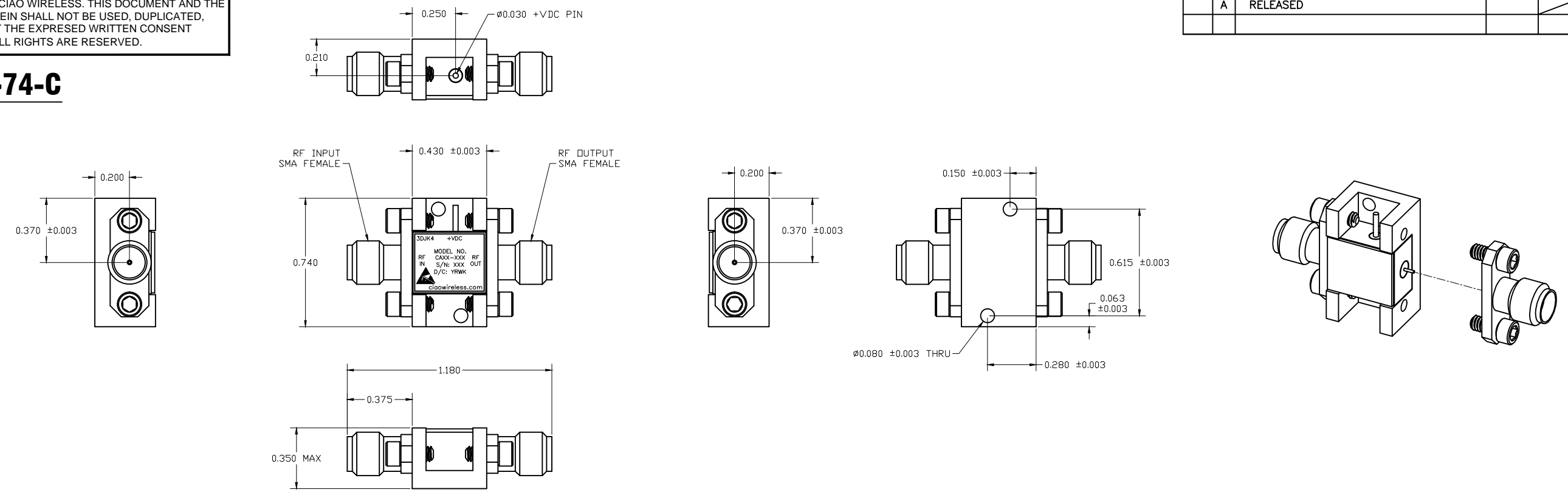


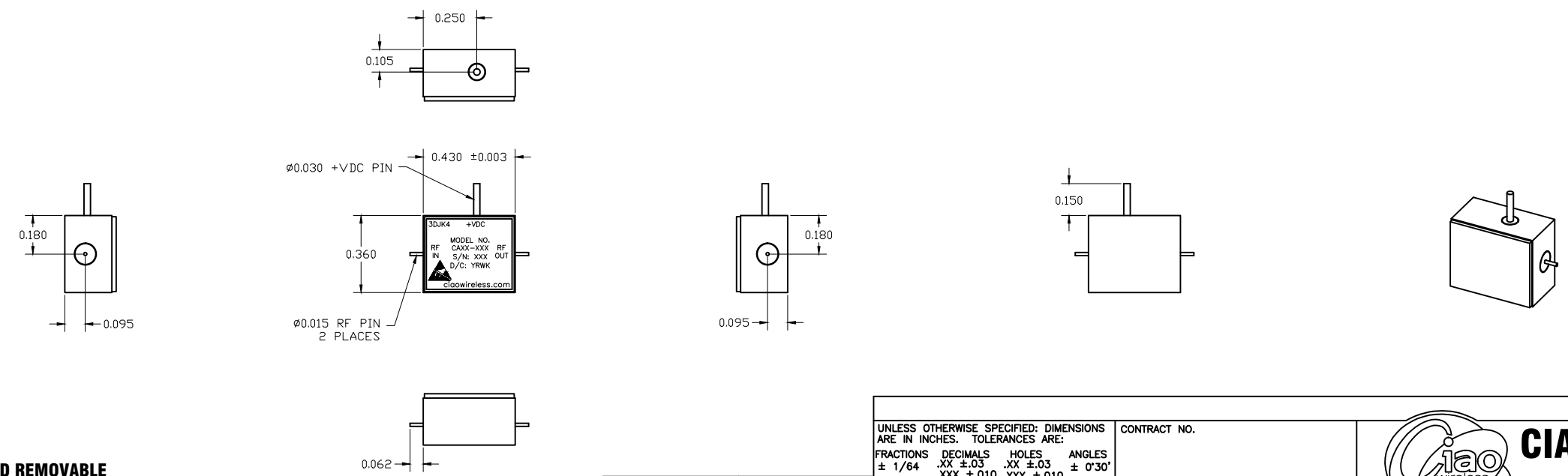
**** PROPRIETARY DATA ****
 THIS DOCUMENT CONTAINS DATA WHICH IS PROPRIETARY OR CONFIDENTIAL TO CIAO WIRELESS. THIS DOCUMENT AND THE DATA CONTAINED HEREIN SHALL NOT BE USED, DUPLICATED, OR ALTERED WITHOUT THE EXPRESSED WRITTEN CONSENT OF CIAO WIRELESS. ALL RIGHTS ARE RESERVED.

REVISIONS					
ZONE	REV	DESCRIPTION	ECO#	DATE	APPROVED
	A	RELEASED			

MFB-43-74-C



MFB-43-74



- NOTES:**
- MFB-43-74-C PACKAGE INCLUDES FIELD REMOVABLE CONNECTORIZED FIXTURE.
 - MFB-43-74 PACKAGE INCLUDES THE DROP-IN FLAT PACK AMPLIFIER UNIT ONLY.
 - CUSTOMER TO SPECIFY WHICH CONFIGURATION IS DESIRED.
 - CIAO TO SPECIFY WHEN QUOTING.
 - OUTLINE IS AVAILABLE IN "STEP", "IGES", OR "DWG" FORMATS UPON REQUEST.
 - STANDARD CONNECTOR

NEXT ASSY	USED ON
	GP0137
	GP0136
	GP0135
	GP0134
APPLICATION	DO NOT SCALE DRAWING

UNLESS OTHERWISE SPECIFIED: DIMENSIONS ARE IN INCHES. TOLERANCES ARE: FRACTIONS DECIMALS HOLES ANGLES $\pm 1/64$.XX ± 0.03 .XX ± 0.03 $\pm 0^{\circ}30'$ MACHINED FINISH: 32 RMS REMOVE BURRS .005 MAX		CONTRACT NO.	
MATERIAL ALUMINUM 6061-T6		APPROVALS DATE	
FINISH AMPLIFIER: GOLD PLATE PER MIL-G-45204 TYPE III FIXTURE: CHEMFILM PER MIL-C-5541E CL 1A		DRAWN: M. BECKNER	3/28/16
		ENGINEERING: M. JUAREZ	3/28/16
		QUALITY ASSURANCE: J. HARRISON	3/28/16
		MANUFACTURING: M. CHAO	3/28/16

CIAO WIRELESS
 4000 VIA PESCADOR
 CAMARILLO CA, 93012

MFB-43-74-C/MFB-43-74
 ICD AMP ASSY

SIZE	CAGE CODE	DWG. NO.	REV.
B	3DJK4	30785	A
SCALE 1/1		SHEET 1 OF 1	

DWG NO. 30785 REV A

30785-001-1, REV A, YPR