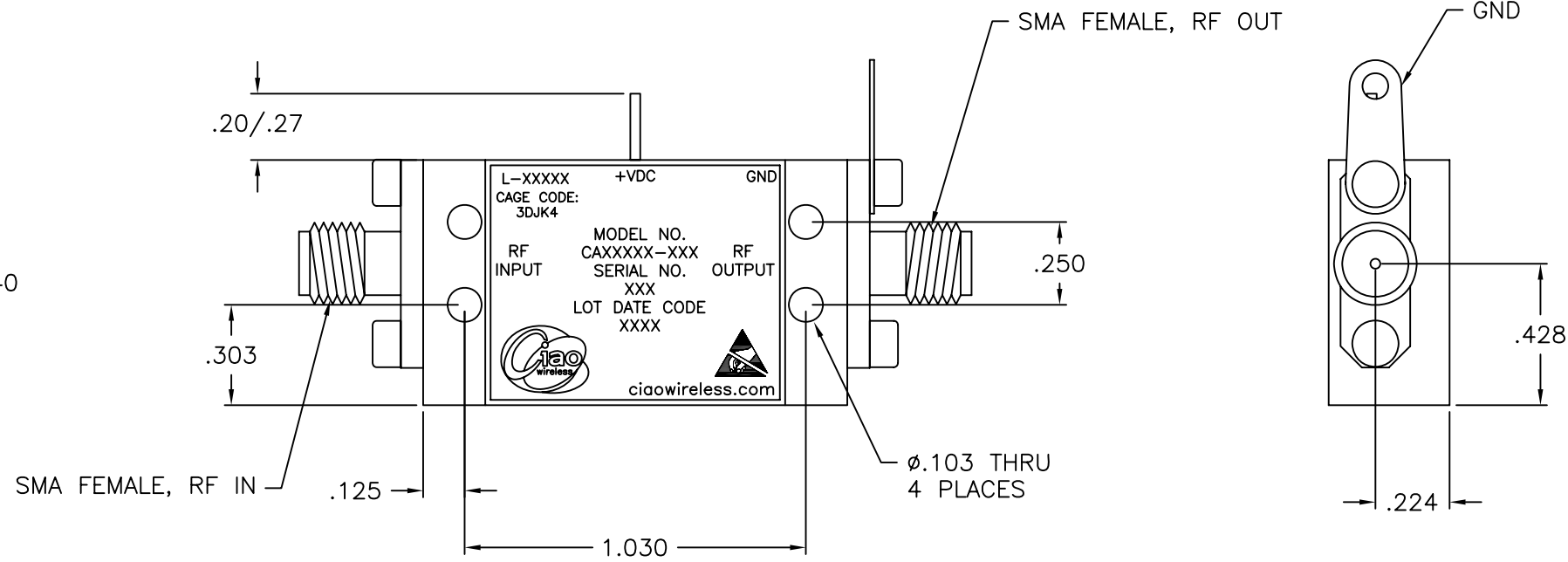
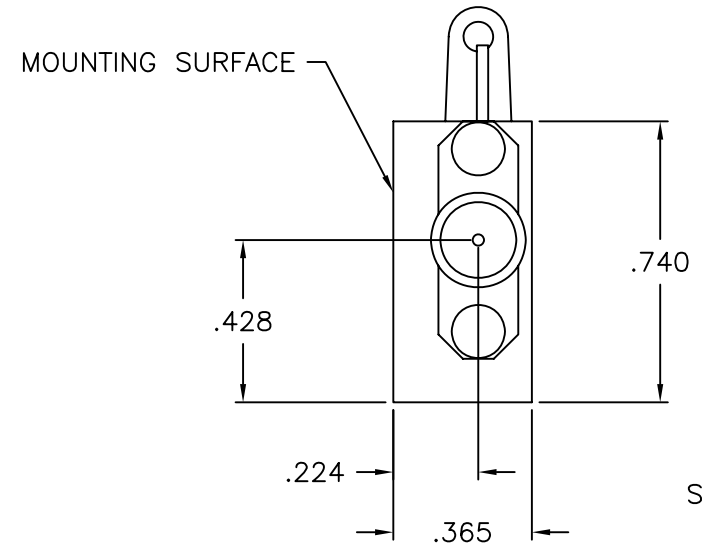
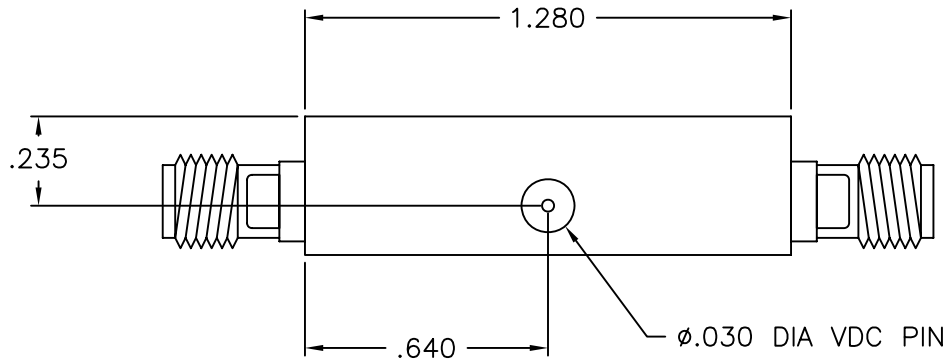


REVISIONS					
ZONE	REV	DESCRIPTION	ECO#	DATE	APPROVED
	A	RELEASED			



ITEM NO.	QTY REQD	PART OR IDENTIFYING NO.	NOMENCLATURE OR DESCRIPTION	MATERIAL SPECIFICATION
PARTS LIST				

UNLESS OTHERWISE SPECIFIED: DIMENSIONS ARE IN INCHES. TOLERANCES ARE: FRACTIONS DECIMALS HOLES ANGLES ± 1/64 .XX ±.03 .XX ±.03 ± 0°30'		CONTRACT NO.			<b>CIAO WIRELESS</b> 4000 VIA PESCADOR CAMARILLO CA, 93012
MACHINED FINISH: 32 RMS REMOVE BURRS .005 MAX		APPROVALS DATE DRAWN S. BROWN 5/16/07			
MATERIAL ALUMINUM 6061-T6		CHECKED		AML K3 ICD AMPLIFIER	
FINISH ELECTROLESS NICKEL PER MIL-C-26074 CLASS 4 GRADE B .0005 ± .0001 MAX		MECHANICAL ENGR			
NEXT ASSY		USED ON		ELECTRICAL ENGR	
APPLICATION		DO NOT SCALE DRAWING		PRODUCT ASSURANCE	
				PLANNING	
				MANUFACTURING	
				SIZE B	CAGE CODE 3DJK4
				DWG. NO. 30229	REV. A
				SCALE 1/1	
				SHEET 1 OF 1	

30229  
REV A