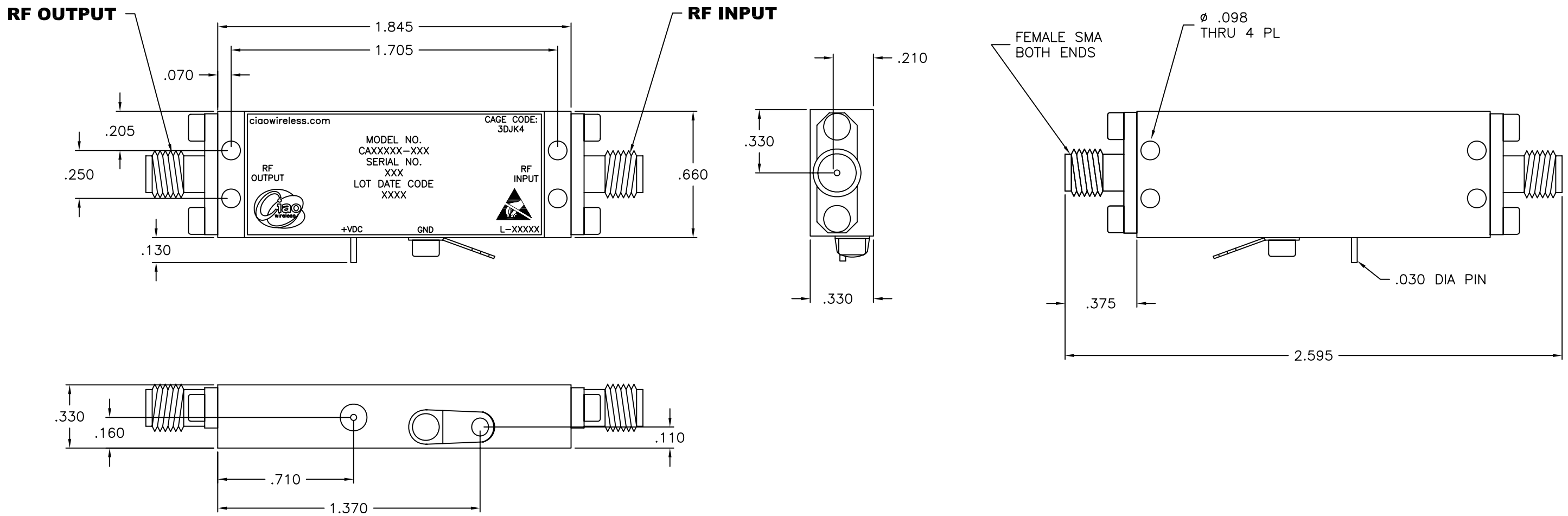


REVISIONS					
ZONE	REV	DESCRIPTION	ECO#	DATE	APPROVED
	A	RELEASED			


# UNIT BUILT IN REVERSE



**NOTES:**

- UNIT IS IN COMPLIANCE TO ALC STC-5 OUTLINE EXCEPT FOR CIAO VDC PIN LOCATION.
- UNIT IS BUILT IN REVERSE

ITEM NO.	QTY REQD	PART OR IDENTIFYING NO.	NOMENCLATURE OR DESCRIPTION	MATERIAL SPECIFICATION
PARTS LIST				
UNLESS OTHERWISE SPECIFIED: DIMENSIONS ARE IN INCHES. TOLERANCES ARE:		CONTRACT NO.		
FRACTIONS DECIMALS HOLES ANGLES		APPROVALS DATE		
± 1/64 .XX ±.03 .XX ±.03 ± 0°30'		DRAWN S. BROWN 10/20/10		
MACHINED FINISH: 32 RMS REMOVE BURRS .005 MAX		CHECKED		
MATERIAL		MECHANICAL ENGR		
ALUMINUM 6061-T6		ELECTRICAL ENGR		
FINISH		PRODUCT ASSURANCE		
ELECTROLESS NICKEL PER MIL-C-26074 CLASS 4 GRADE B .0005 ± .0001 MAX		PLANNING		
NEXT ASSY	USED ON	MANUFACTURING		
		SCALE 1/1		
APPLICATION		DO NOT SCALE DRAWING		



**CIAO WIRELESS**  
4000 VIA PESCADOR  
CAMARILLO CA, 93012

ALC STC-5/X-K4 ICD AMPLIFIER

SIZE B CAGE CODE 3DJK4 DWG. NO. 30392 REV. A

SHEET 1 OF 1

30392 REV A