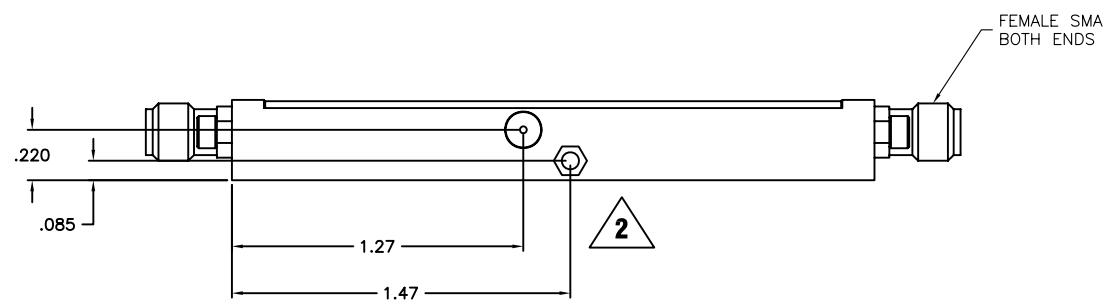
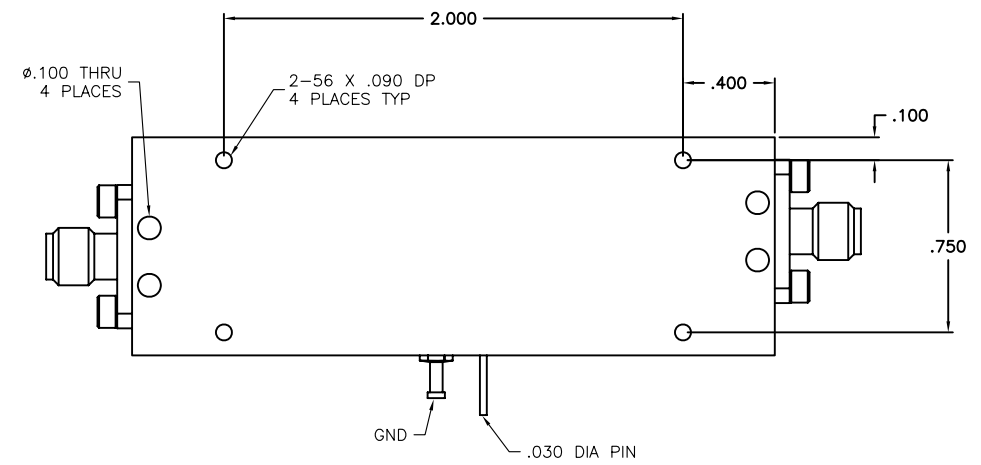
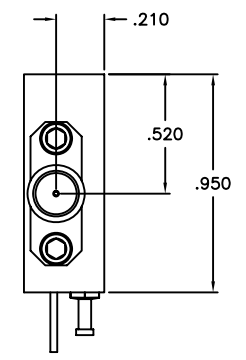
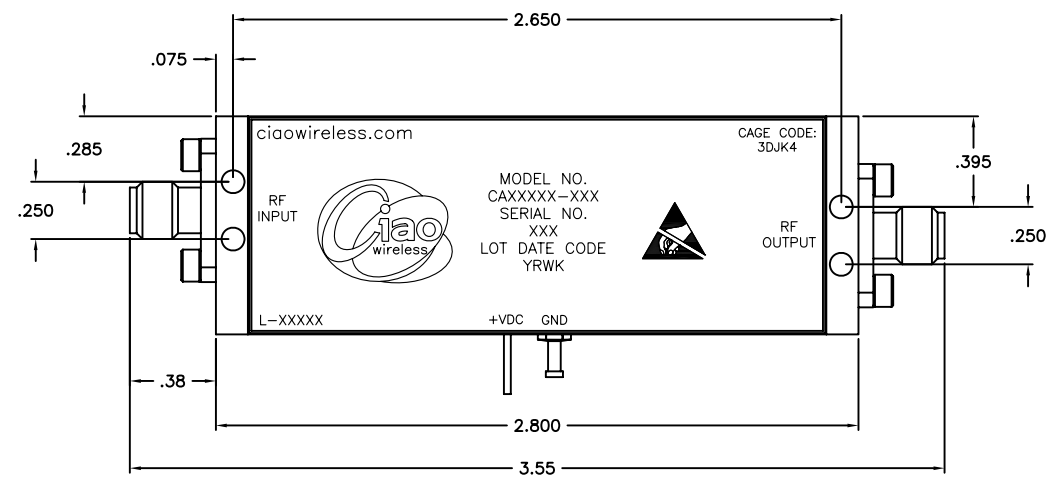
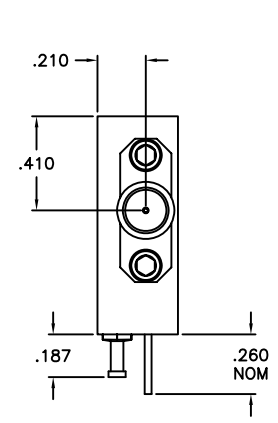
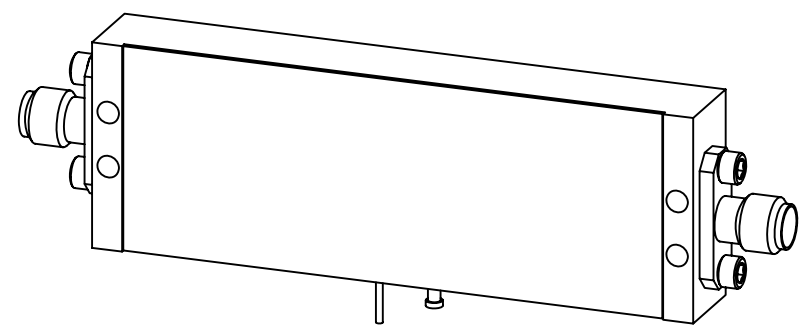
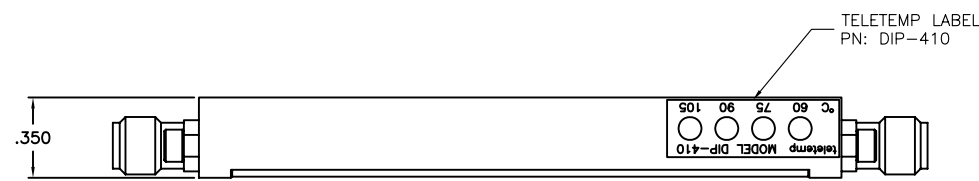


**\*\* PROPRIETARY DATA \*\***  
 THIS DOCUMENT CONTAINS DATA WHICH IS PROPRIETARY OR CONFIDENTIAL TO CIAO WIRELESS. THIS DOCUMENT AND THE DATA CONTAINED HEREIN SHALL NOT BE USED, DUPLICATED, OR ALTERED WITHOUT THE EXPRESSED WRITTEN CONSENT OF CIAO WIRELESS. ALL RIGHTS ARE RESERVED.

REVISIONS					
ZONE	REV	DESCRIPTION	ECO#	DATE	APPROVED
	A	RELEASED			



- NOTES:**
1. OUTLINE IS AVAILABLE IN "STEP", "IGES", OR "DWG" FORMATS UPON REQUEST.
  2. GROUND AND VDC PINS ARE LOCATED APPROXIMATELY WHERE SHOWN AND ARE SUBJECT TO CHANGE WITHOUT NOTICE DUE TO PRODUCT ENHANCEMENT. WHEREVER POSSIBLE CIAO WILL PROVIDE NOTICE OF CHANGES TO CUSTOMER

NEXT ASSY	USED ON
APPLICATION	DO NOT SCALE DRAWING

UNLESS OTHERWISE SPECIFIED: DIMENSIONS ARE IN INCHES. TOLERANCES ARE:  
 FRACTIONS DECIMALS HOLES ANGLES  
 $\pm 1/64$  .XX  $\pm 0.03$  .XX  $\pm 0.03$   $\pm 0'30$   
 .XXX  $\pm 0.010$  .XXX  $\pm 0.010$   
 MACHINED FINISH: 32 RMS  
 REMOVE BURRS .005 MAX

MATERIAL: ALUMINUM 6061-T6

FINISH: ELECTROLESS NICKEL PER MIL-C-26074 CLASS 4 GRADE B .0005  $\pm$  .0001 MAX

CONTRACT NO.:

APPROVALS: M. BECKNER DATE: 2/26/14

ENGINEERING:

QUALITY ASSURANCE:

MANUFACTURING:

**Ciao WIRELESS**  
 4000 VIA PESCADOR  
 CAMARILLO CA, 93012

**XK5 ICD AMPLIFIER**

SIZE: B CAGE CODE: 3DJK4 DWG. NO.: 30616 REV. A

SCALE: 1/1 SHEET: 1 OF 1

DWG NO. 30616 REV. B

DWG NO. 30616 REV. A 1/17