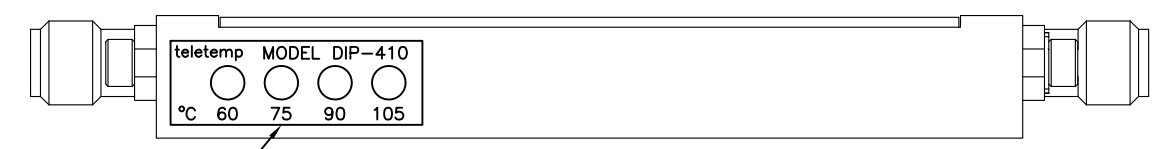
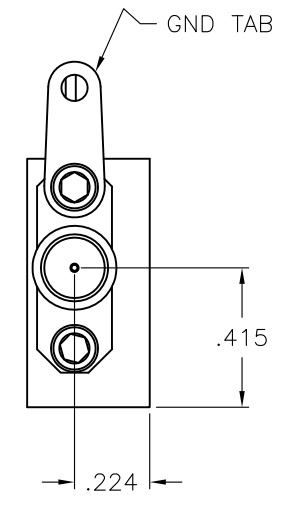
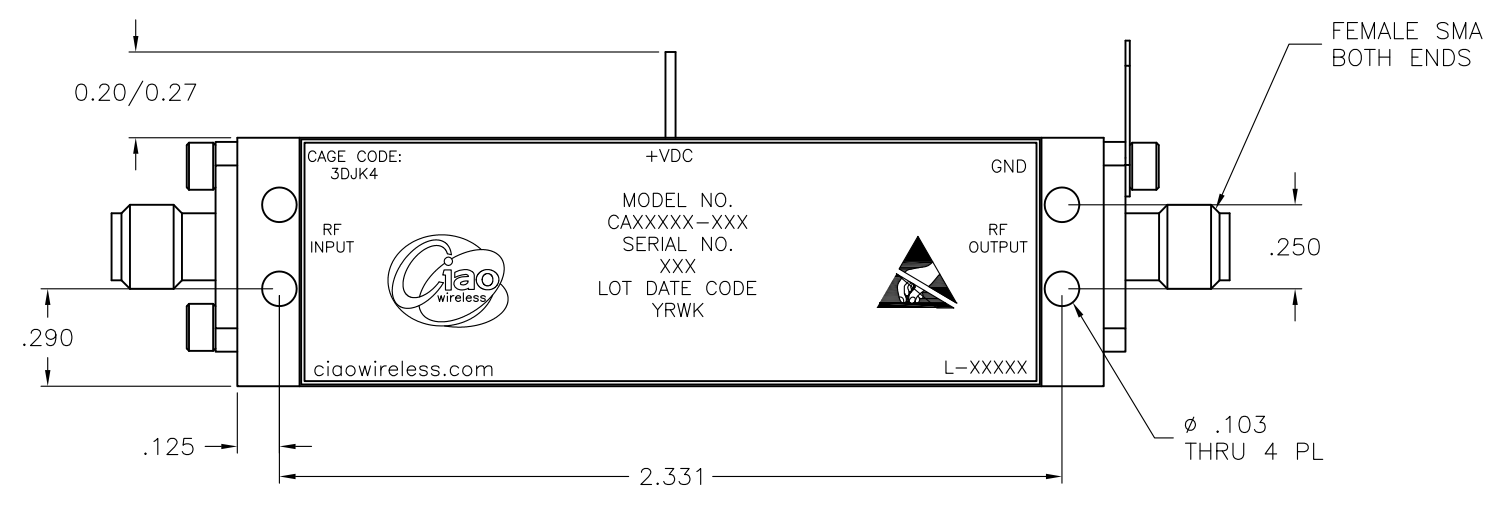
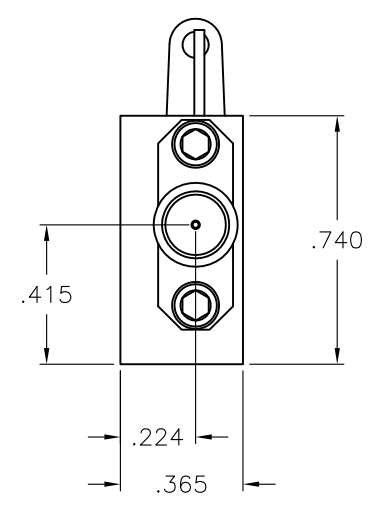
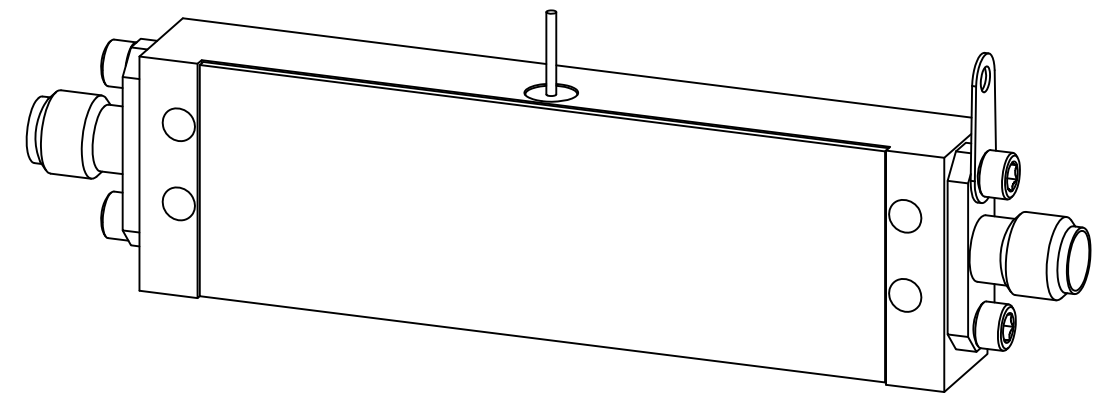
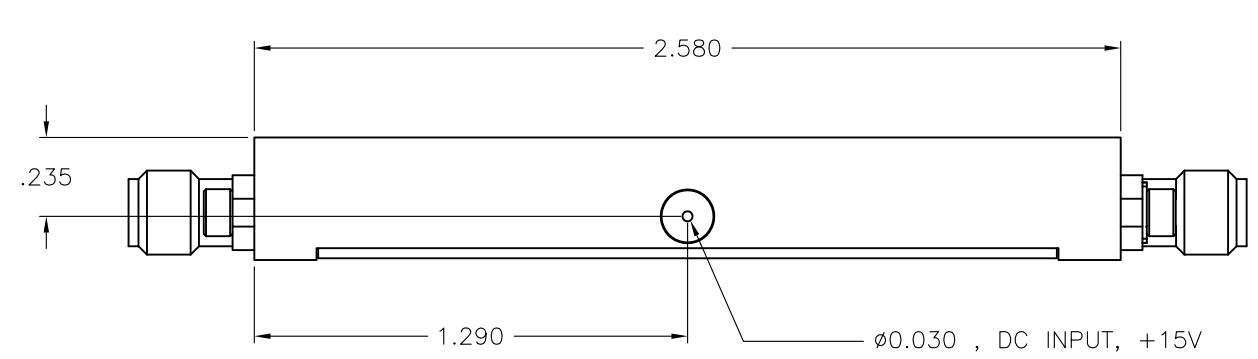


**\*\* PROPRIETARY DATA \*\***  
 THIS DOCUMENT CONTAINS DATA WHICH IS PROPRIETARY OR CONFIDENTIAL TO CIAO WIRELESS. THIS DOCUMENT AND THE DATA CONTAINED HEREIN SHALL NOT BE USED, DUPLICATED, OR ALTERED WITHOUT THE EXPRESSED WRITTEN CONSENT OF CIAO WIRELESS. ALL RIGHTS ARE RESERVED.

REVISIONS					
ZONE	REV	DESCRIPTION	ECO#	DATE	APPROVED
	A	RELEASED			



TELETEMP LABEL  
 PN: DIP-410

**NOTES:**  
 1. OUTLINE IS AVAILABLE IN "STEP", "IGES", OR "DWG" FORMATS UPON REQUEST.

UNLESS OTHERWISE SPECIFIED: DIMENSIONS ARE IN INCHES. TOLERANCES ARE: FRACTIONS DECIMALS HOLES ANGLES $\pm 1/64$ .XX $\pm 0.03$ .XX $\pm 0.03$ $\pm 0^{\circ}30'$ .XXX $\pm 0.010$ .XXX $\pm 0.010$ MACHINED FINISH: 32 RMS REMOVE BURRS .005 MAX		CONTRACT NO.		<b>CIAO WIRELESS</b> 4000 VIA PESCADOR CAMARILLO CA, 93012	
MATERIAL ALUMINUM 6061-T6		APPROVALS			
FINISH ELECTROLESS NICKEL PER MIL-C-26074 CLASS 4 GRADE B .0005 $\pm$ .0001 MAX		DRAWN: S. BROWN		07/09/14	
NEXT ASSY		USED ON		ENGINEERING:	
APPLICATION DO NOT SCALE DRAWING		QUALITY ASSURANCE:		MANUFACTURING:	
		SIZE B		CAGE CODE 3DJK4	
		DWG. NO. 30654		REV. A	
		SCALE 1/1		SHEET 1 OF 1	

REV A  
30654  
DWG NO.

DC-FRM-0015-1, REV. A, 7/97