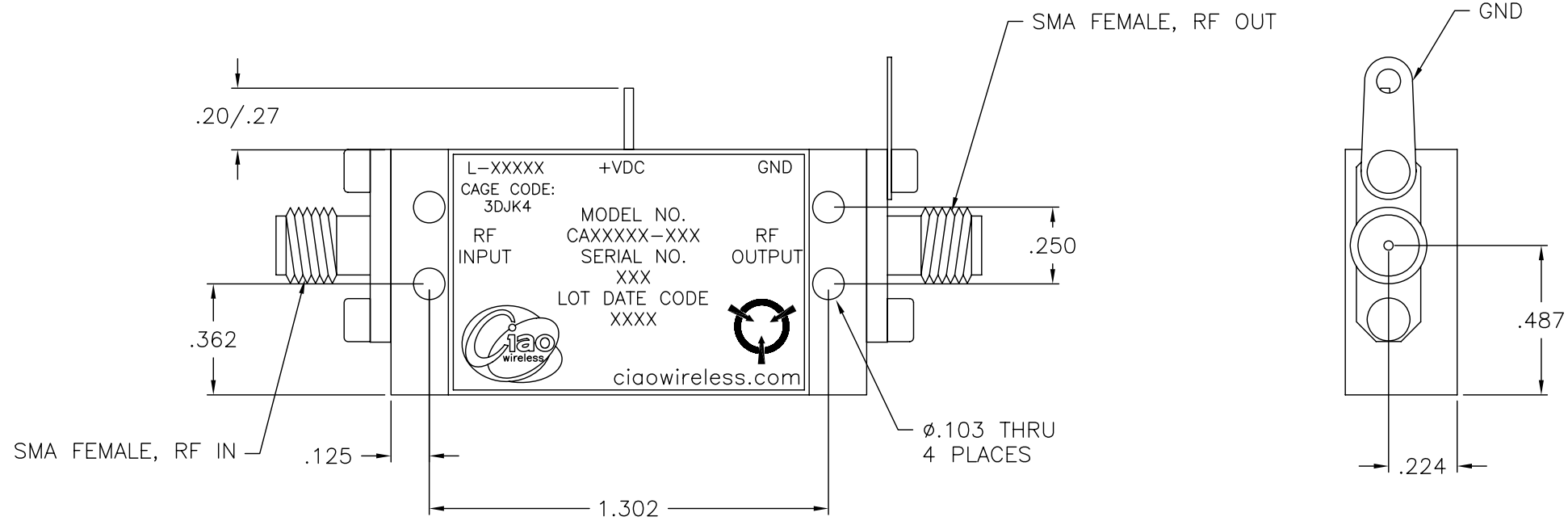
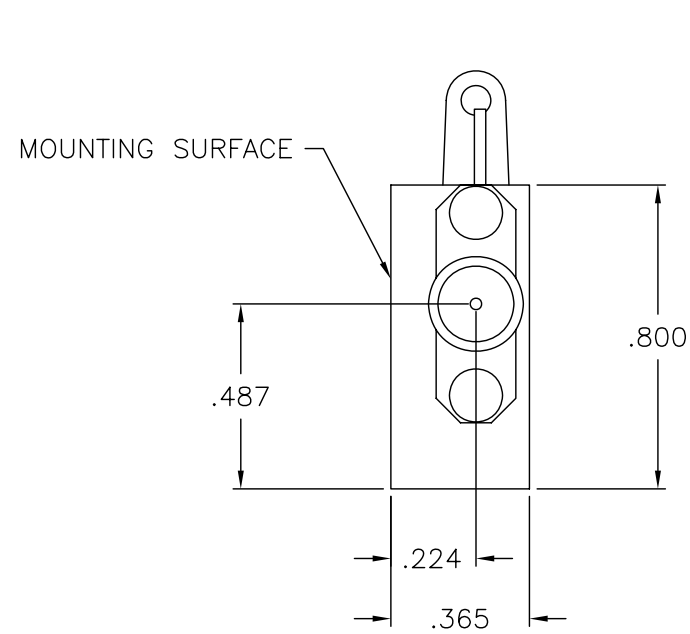
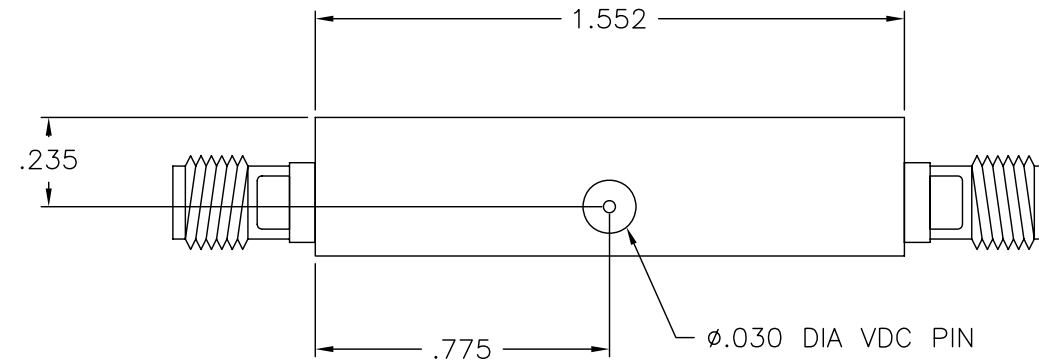



REVISIONS					
ZONE	REV	DESCRIPTION	ECO#	DATE	APPROVED
	A	RELEASED			



ITEM NO.	QTY REQD	PART OR IDENTIFYING NO.	NOMENCLATURE OR DESCRIPTION	MATERIAL SPECIFICATION		
PARTS LIST						
UNLESS OTHERWISE SPECIFIED: DIMENSIONS ARE IN INCHES. TOLERANCES ARE: FRACTIONS DECIMALS HOLES ANGLES ± 1/64 .XX ±.03 .XX ±.03 ± 0°30' MACHINED FINISH: 32 RMS REMOVE BURRS .005 MAX			CONTRACT NO.	 <b>CIAO WIRELESS</b> 4000 VIA PESCADOR CAMARILLO CA, 93012		
MATERIAL ALUMINUM 6061-T6			APPROVALS		DATE	
FINISH ELECTROLESS NICKEL PER MIL-C-26074 CLASS 4 GRADE B .0005 ± .0001 MAX			DRAWN S. BROWN		5/16/07	
NEXT ASSY			CHECKED			
USED ON			MECHANICAL ENGR			
APPLICATION			ELECTRICAL ENGR			
DO NOT SCALE DRAWING			PRODUCT ASSURANCE			
			PLANNING			
			MANUFACTURING			
			SIZE	CAGE CODE	DWG. NO.	REV.
			B	3DJK4	30230	A
			SCALE	SHEET		
			1/1	1 OF 1		

30230  
 DWG NO.  
 REV A  
 50-PHM-0001-1, REV A, 1/97