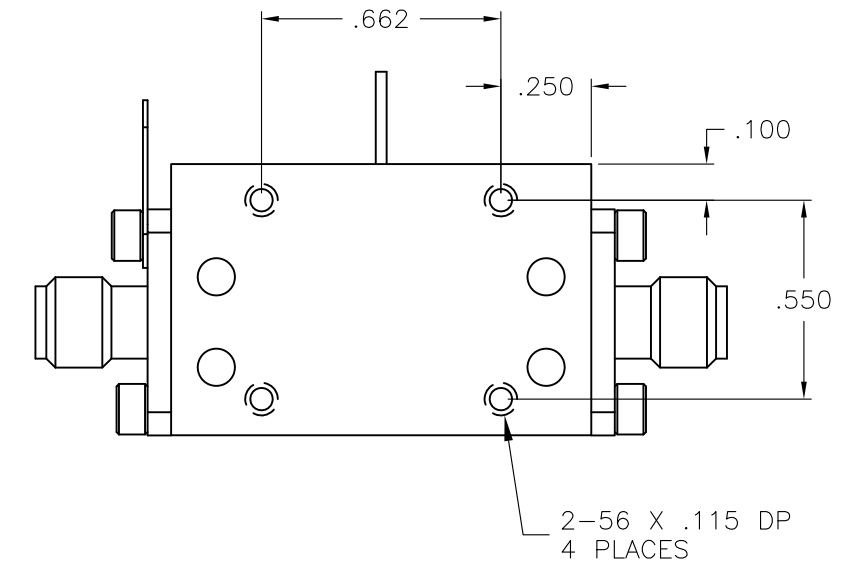
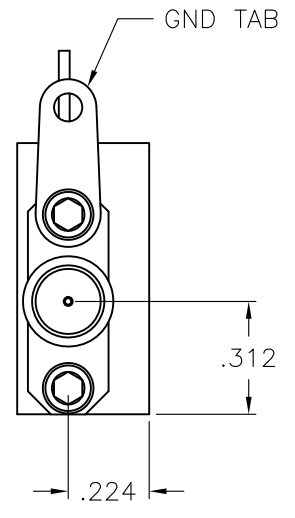
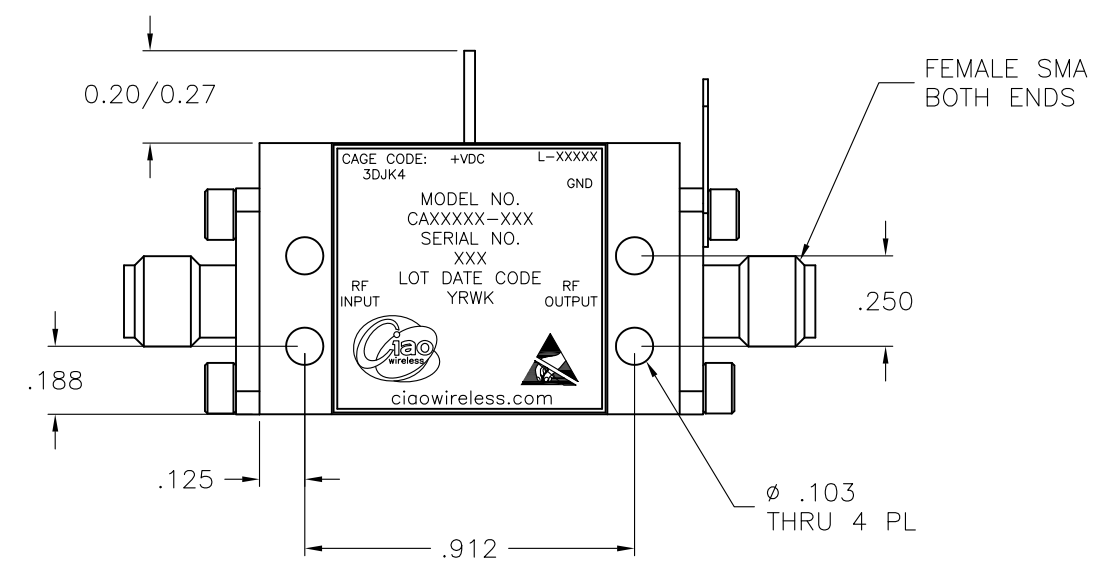
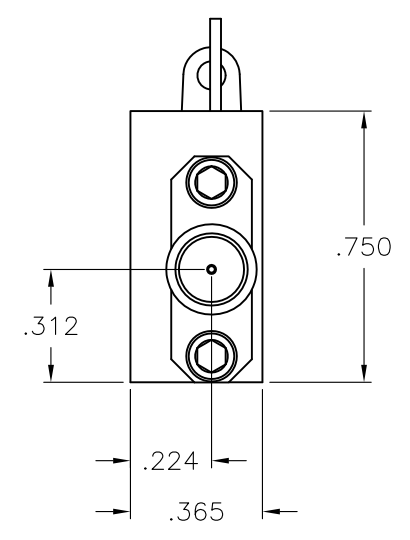
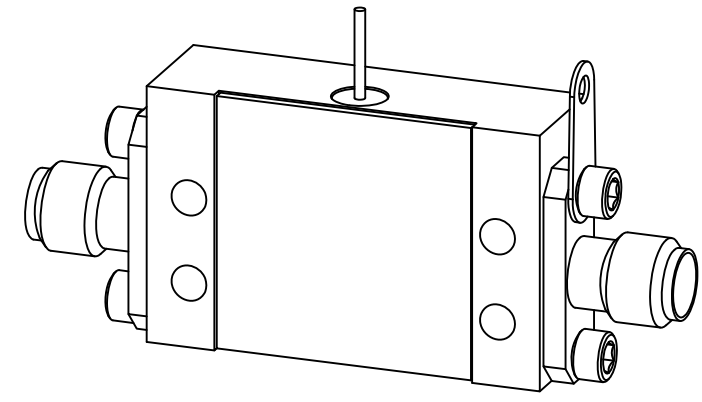
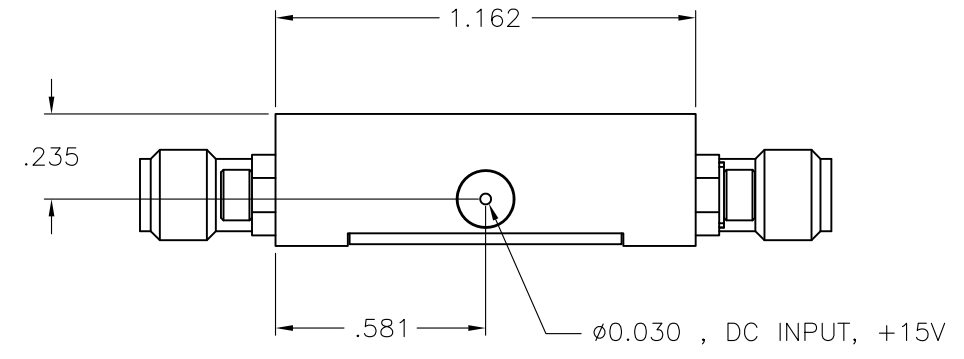


**** PROPRIETARY DATA ****
 THIS DOCUMENT CONTAINS DATA WHICH IS PROPRIETARY OR CONFIDENTIAL TO CIAO WIRELESS. THIS DOCUMENT AND THE DATA CONTAINED HEREIN SHALL NOT BE USED, DUPLICATED, OR ALTERED WITHOUT THE EXPRESSED WRITTEN CONSENT OF CIAO WIRELESS. ALL RIGHTS ARE RESERVED.

REVISIONS					
ZONE	REV	DESCRIPTION	ECO#	DATE	APPROVED
	A	RELEASED			



NOTES:
 1. OUTLINE IS AVAILABLE IN "STEP", "IGES", OR "DWG" FORMATS UPON REQUEST.

NEXT ASSY	USED ON
APPLICATION	

UNLESS OTHERWISE SPECIFIED: DIMENSIONS ARE IN INCHES. TOLERANCES ARE: FRACTIONS DECIMALS HOLES ANGLES $\pm 1/64$.XX ± 0.03 .XX ± 0.03 $\pm 0^{\circ}30'$.XXX ± 0.010 .XXX ± 0.010 MACHINED FINISH: 32 RMS REMOVE BURRS .005 MAX		CONTRACT NO.
MATERIAL ALUMINUM 6061-T6		APPROVALS
FINISH ELECTROLESS NICKEL PER MIL-C-26074 CLASS 4 GRADE B .0005 \pm .0001 MAX		DATE 09/16/13
DO NOT SCALE DRAWING		ENGINEERING:
		QUALITY ASSURANCE:
		MANUFACTURING:



CIAO WIRELESS
 4000 VIA PESCADOR
 CAMARILLO CA, 93012

B4 ICD AMP			
SIZE B	CAGE CODE 3DJJK4	DWG. NO. 30581	REV. A
SCALE 1/1		SHEET 1 OF 1	

DWG NO. 30581

DWG NO. 30581-1, REV. A, 7/17