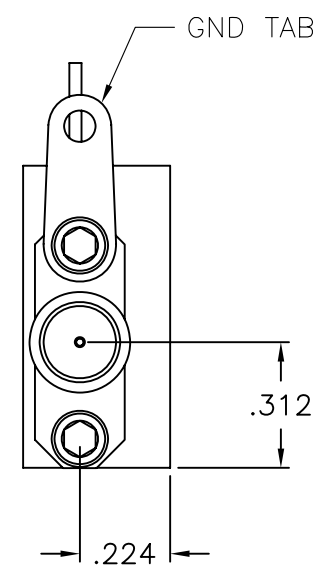
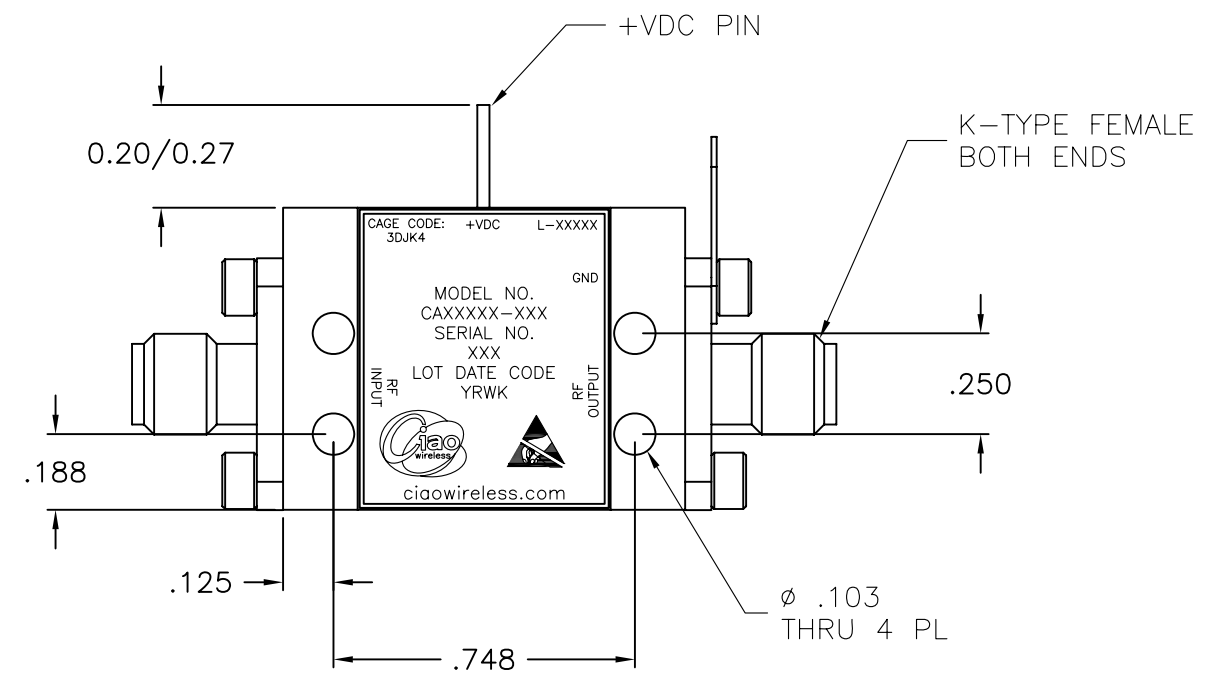
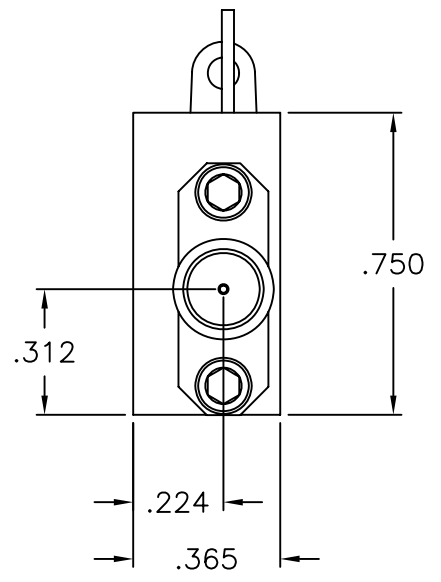
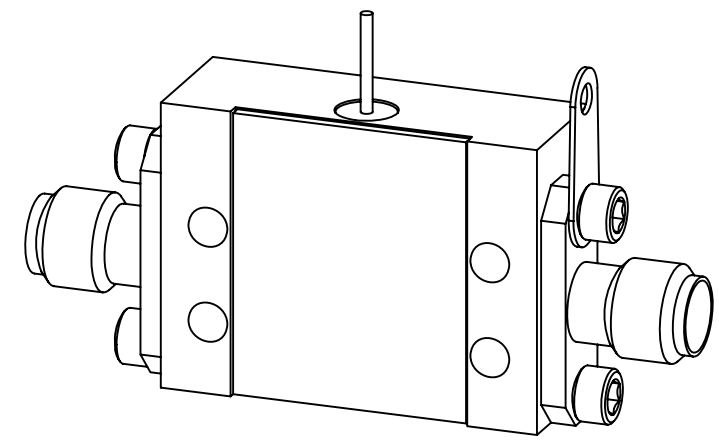
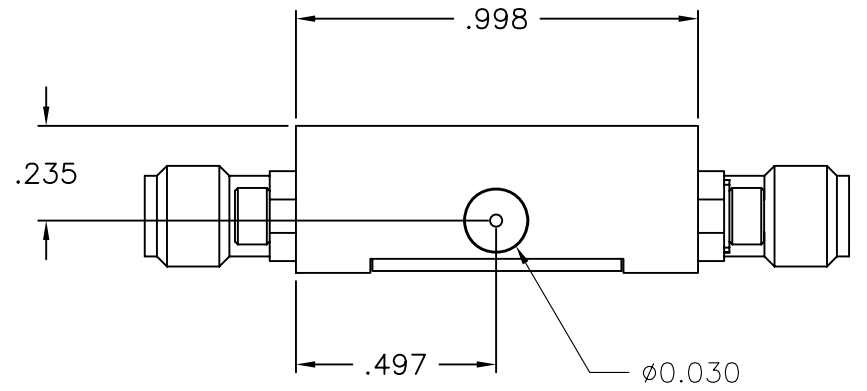



**** PROPRIETARY DATA ****
 THIS DOCUMENT CONTAINS DATA WHICH IS PROPRIETARY OR CONFIDENTIAL TO CIAO WIRELESS. THIS DOCUMENT AND THE DATA CONTAINED HEREIN SHALL NOT BE USED, DUPLICATED, OR ALTERED WITHOUT THE EXPRESSED WRITTEN CONSENT OF CIAO WIRELESS. ALL RIGHTS ARE RESERVED.

REVISIONS					
ZONE	REV	DESCRIPTION	ECO#	DATE	APPROVED
	A	RELEASED			
	B	UPDATED +VDC CALL OUT, ADDED PREVIOUS MODEL NUMBER TO TITLE BLOCK	4084		



NOTES:
 1. OUTLINE IS AVAILABLE IN "STEP", "IGES", OR "DWG" FORMATS UPON REQUEST.

UNLESS OTHERWISE SPECIFIED: DIMENSIONS ARE IN INCHES. TOLERANCES ARE: FRACTIONS DECIMALS HOLES ANGLES $\pm 1/64$.XX $\pm .03$.XX $\pm .03$ $\pm 0^{\circ}30'$.XXX $\pm .010$.XXX $\pm .010$ MACHINED FINISH: 32 RMS REMOVE BURRS .005 MAX		CONTRACT NO.		 CIAO WIRELESS 4000 VIA PESCADOR CAMARILLO CA, 93012	
MATERIAL: ALUMINUM 6061-T6		APPROVALS			
NEXT ASSY		CA120-342K		DRAWN: S. BROWN	
USED ON				10/30/13	
APPLICATION		DO NOT SCALE DRAWING		ENGINEERING:	
				QUALITY ASSURANCE:	
				MANUFACTURING:	
				SIZE	CAGE CODE
				B	3DJK4
				DWG. NO.	30585-K
				REV.	B
				SCALE	1/1
				SHEET	1 OF 1

DWG NO. 30585-K

SHEET 1 OF 1